

MTD-4021

21.5" Multi-Touch 16:9 Full HD Projected Capacitive Display, optional IP65 Waterproof



Features

- 21.5" 16 : 9 Full HD (1920 x 1080) LCD Panel with LED Backlight
- Projected Capacitive 10-point Multi-Touch Screen
- 7H Hardness Anti-Scratch Surface
- Touchscreen works with gloves
- Supports VGA and DVI-D Interface
- Landscape Mode and Portrait Mode supported
- Mounting : VESA Mount, Panel Mount
- Sunlight Readable (Optional)
- IP65 Front Panel Protection (Optional)



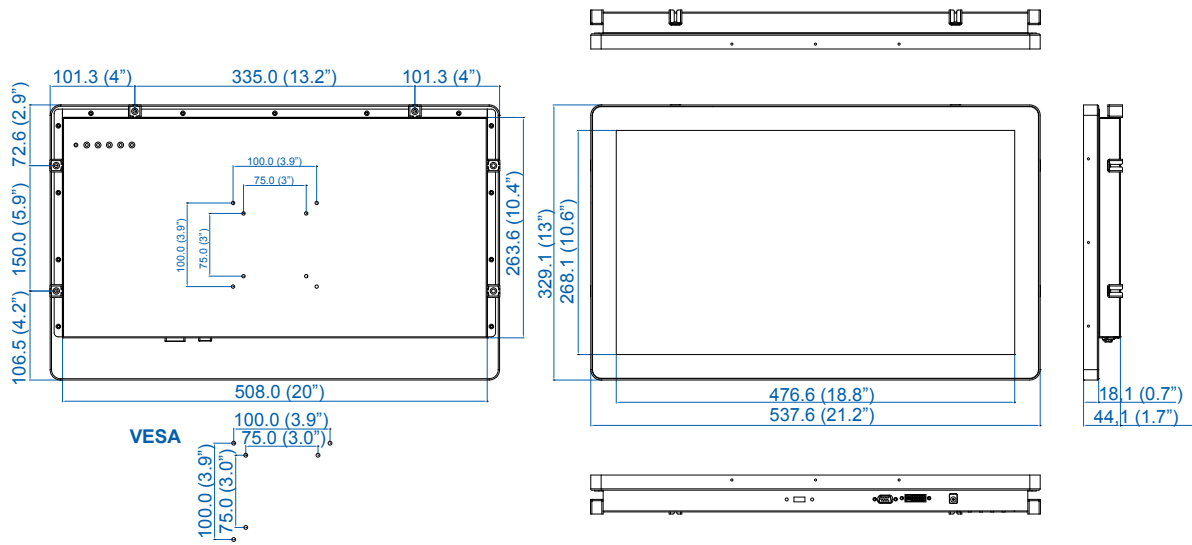
Specifications

Panel	
Panel Type	TFT LCD
Active Area	21.5" (16 : 9)
Max. Resolution	1920 x 1080 (Full HD)
Display Color	16.7M (RGB 8-bit)
Brightness (cd/m ²)	250 (Optional, up to 1200)
Contrast Ratio	3000 : 1
Viewing Angle	178°/178° (H/V)
Backlight	LED Backlight
Backlight Life	30,000hrs
Touch Screen	
Touch Screen Type	10-point Projected Capacitive
Transparency	≥ 85%
Surface Hardness	7H Surface Hardness
Control Interface	USB Interface
System	
Power Input	DC-in 12V
Power Interface	DC Jack
Power Adapter	AC to DC 60W Power Adapter
Video Interface	1 VGA, 1 DVI-D
OSD Control	5 OSD Keypad for Function Management
OSD Language	Multi Language
Mechanical	
Dimensions (W x H x L)	537.6mm x 329.1mm x 44.1mm (21.2" x 13" x 1.7")
Weight	6 kg (13.2 lb)
Front Panel Protection	IP65 Compliant (Optional)
Mounting	<ul style="list-style-type: none"> ▪ VESA Mount (75 x 75mm, 100 x 100mm) ▪ Panel Mount

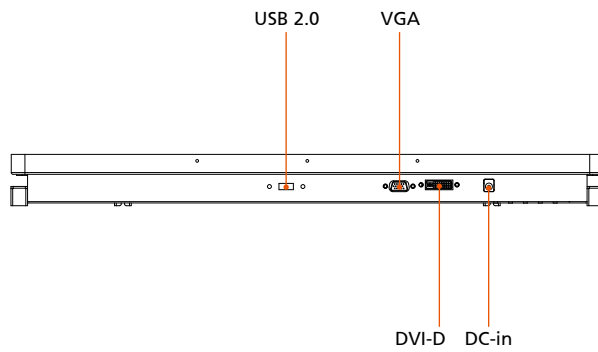
Environment	
Operating Temperature	0°C to 50°C (32°F to 122°F)
Storage Temperature	-20°C to 60°C (-4°F to 140°F)
Humidity	5% to 90% Humidity, non-condensing
Shock	<ul style="list-style-type: none"> ▪ IEC 60068-2-27 ▪ 20G, Half-sine, 11ms
Vibration	<ul style="list-style-type: none"> ▪ IEC 60068-2-64 ▪ Non-operation : 10Hz to 200Hz, 1.5Grms, X, Y, Z, 30 mins each Axis
Certification	CE, FCC
Accessory List	
VGA Cable x1	
USB-A Cable (M) x1	

Dimensions

Unit : mm/ inch



I/O



Order Information

MTD-4021	21.5" Multi-Touch 16:9 Full HD Projected Capacitive Display
MTD-4021P	21.5" Multi-Touch 16:9 Full HD Projected Capacitive Display, IP65 Front Panel
PWA-60W	60W, 12V 100V AC to 240V AC Power Adapter for DC Jack
Panel-Mount	Panel Mount Kit
CAB_DVI	DVI Cable (M)
VESA Stand	VESA Table Stand