

IPC-3026

Quiet Compact Chassis for Half Size SHB/SBC



Features

- Support 6-slot PICMG 1.3/1.0 backplane
- Shockproof drive bay for one 3.5" HDD
- Support two 2.5" HDDs by hot-swap tray
- LED indicators for system fault detection
- Lockable front door prevent unauthorized access
- Built-in Intelligent System Module enabling whole system fan control and remote manageability

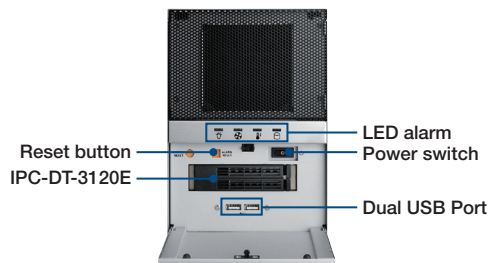
Quiet

Specifications

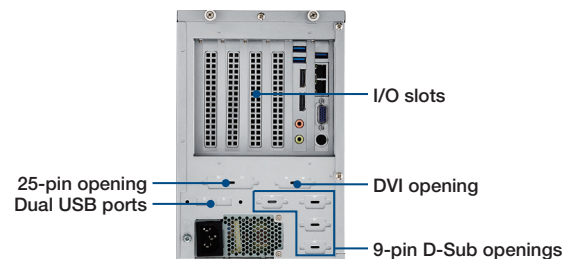
CE FCC RoHS COMPLIANT PRODUCT

| | | External | Internal |
|---|--|---|--|
| Disk Drive Bay | 3.5" | - | 1 |
| Cooling | Fan | 1 (9 cm 44.6 CFM) | |
| | Air Filters | Yes | |
| I/O Interface | USB | 2 (Front accessible), 2 (Rear accessible) | |
| Miscellaneous | LED Indicators | Power, HDD, Temp, Fan | |
| | Front Panel | Reset button, Power switch | |
| | Rear Panel | Reserved four 9-pin D-Sub openings, 25-pin opening, DVI opening, dual USB ports | |
| Intelligent System Module Remote Monitoring | CPU/System fan speed, CPU/System temperature, motherboard voltage (Only selected Advantech MBs/CPU cards with SUSIAccess installed can fully enable these functions, check with Advantech local rep. for detailed information.) | | |
| Environment | Temperature | Operating 0 ~ 40° C (32 ~ 104° F) | Non-operating -20 ~ 60° C (-4 ~ 140° F) |
| | Humidity | 10 ~ 85% @ 40° C, non-condensing | 10 ~ 95% @ 40° C, non-condensing |
| | Vibration (5-500 Hz) | 1 Grms | 2 G |
| | Shock | 10 G (with 11 ms duration, half sine wave) | 30 G |
| Physical Characteristics | Dimensions (W x H x D) | 150 x 222 x 270 mm (5.9" x 8.74" x 10.63") | |
| | Weight | 4.4 kg (9.7 lb) | |

Front View

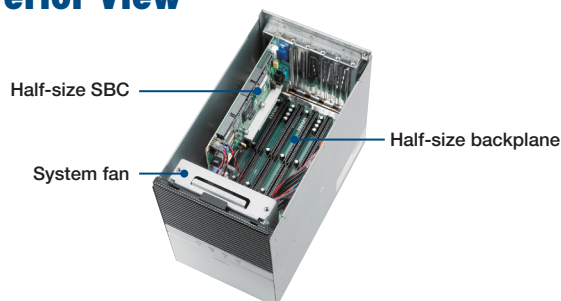


Rear View



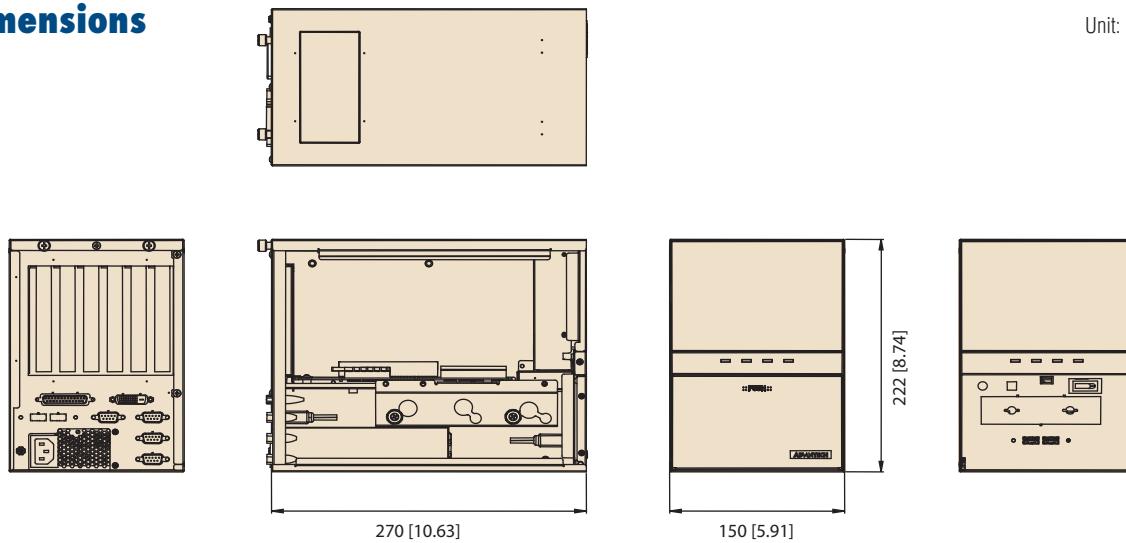
Note: Hot swap drive bay module should be bought separately.

Interior View

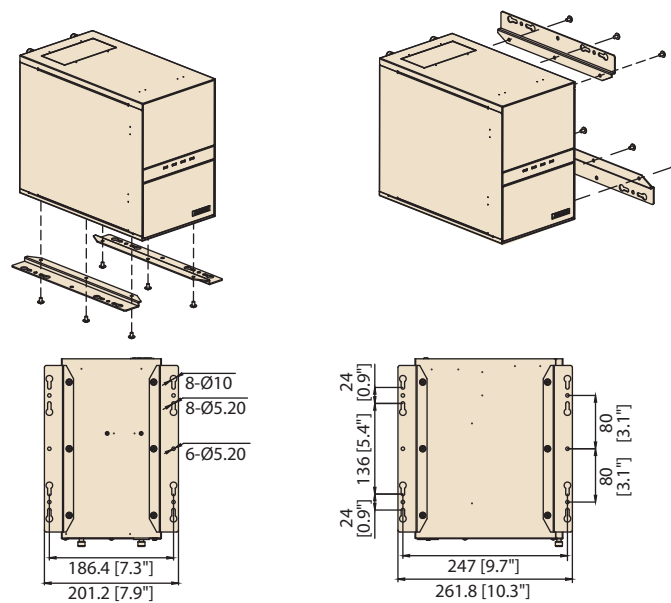


Dimensions

Unit: mm [inch]



Installation



Ordering Information

| Part Number | Power Supply | Wattage | Type | Input |
|-----------------|----------------|---------|--------|-------------------------------|
| IPC-3026BP-15ZE | 96PS-A150WFX-1 | 150W | Single | AC 100 - 240 V (full range) |

Backplane Options

| Part Number | ISA | PCI | PClex16 | PClex8 | PClex4 | PClex1 | PICMG |
|------------------|-----|-----|---------|--------|--------|--------|-------|
| PICMG 1.0 | | | | | | | |
| PCA-6106-0B2E | 5 | - | - | - | - | - | 1 |
| PCA-6105P5-0B2E | - | 4 | - | - | - | 1 | |
| PICMG 1.3 | | | | | | | |
| PCE-3B03-00A1E | - | - | 1 | - | 1 | - | 1 |
| PCE-3B06-00A1E | - | - | 1 | - | - | 4 | 1 |
| PCE-3B06-02A1E | - | 2 | 1 | - | - | 2 | 1 |
| PCE-3B06-03A1E | - | 3 | 1 | - | - | 1 | 1 |

Optional Accessories

| Ordering P/N | Description |
|--------------|---|
| IPC-DT-3120E | Mobile rack for dual 2.5" SATA HDDs with a 3.5" drive bay occupancy |