

IPC-6806

6-Slot Desktop/Wallmount Compact Chassis for Full/Half-Sized Slot SBC



Features

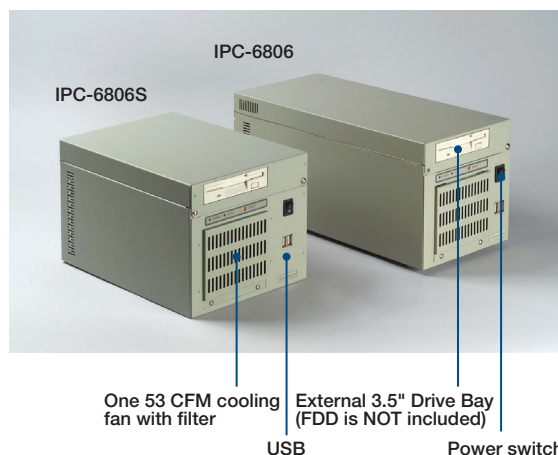
- Three models with different sizes to support various industrial applications
- Supports versatile 6-slot backplanes
- Streamlined filtered airflow



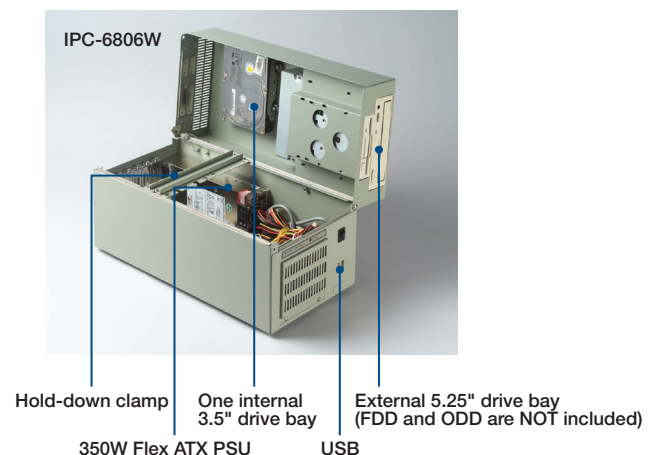
Specifications

Model Name		IPC-6806S	IPC-6806	IPC-6806W
CPU Card Form Factor		Half-sized	Full-sized	Full-sized
Drive Bay	5.25"	-	-	1
	External 3.5"	1	1	1
	Internal 3.5"	1	1	1
Cooling	Fan	1 (9cm / 53 CFM)	1 (9cm / 53 CFM)	1 (9cm / 58 CFM)
	Air Filter	Yes	Yes	Yes
Front I/O Interface	USB 2.0	2	2	2
Miscellaneous	LED Indicators	Power and HDD		
	Control	Power switch and system reset buttons		
Environment	Operating Temperature	0 ~ 40° C (32 ~ 104° F)		Non-Operating -20 ~ 60° C (-4 ~ 140° F)
	Humidity	10 ~ 85% @ 40° C, non-condensing		10 ~ 95% @ 40° C, non-condensing
	Vibration (5 ~ 500 Hz)	0.5 Grms		2 G
	Shock	10 G (with 11 ms duration, half sine wave)		30 G
	Physical Characteristics	Dimensions (W x H x D)	191 x 178 x 290 mm (7.5" x 7.01" x 11.42")	166 x 178 x 398 mm (6.54" x 7.01" x 15.67")
	Weight	5.6 kg (12.3 lb)	6.3 kg (13.9 lb)	8 kg (17.6 lb)

Front View

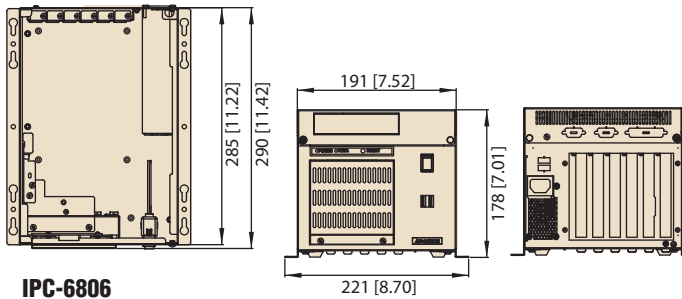


Inside View

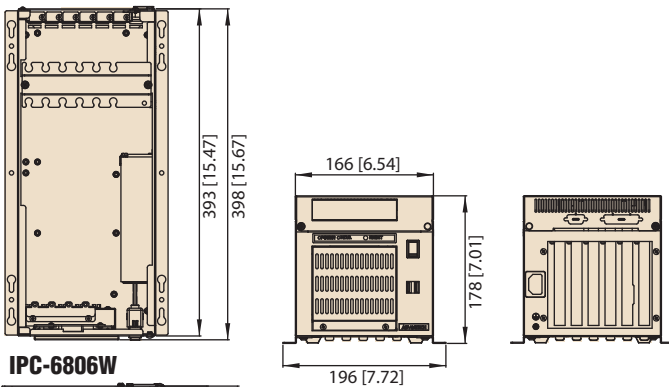


Dimensions

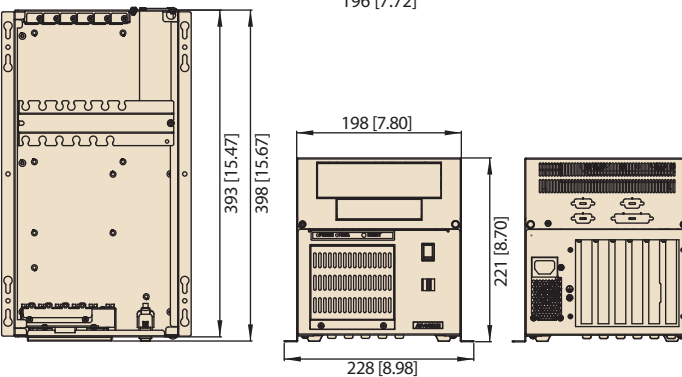
IPC-6806S



IPC-6806

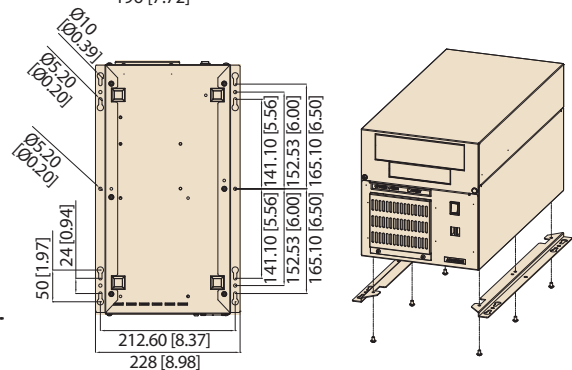
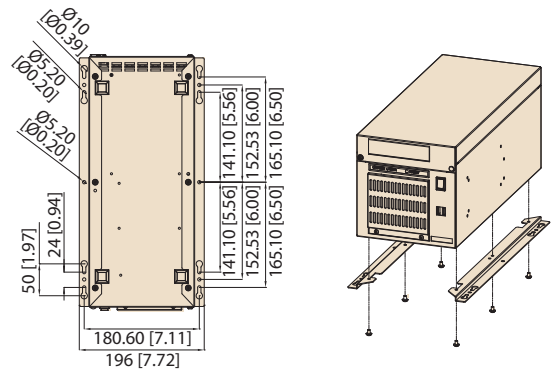
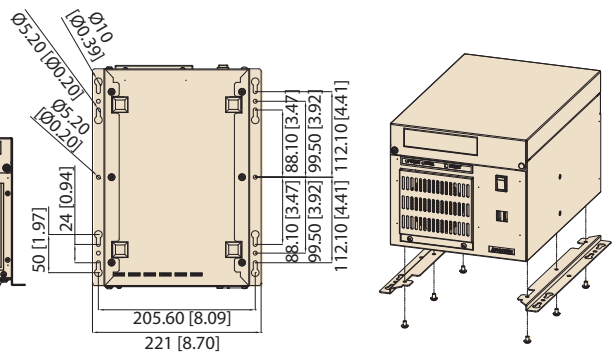


IPC-6806W



Installation

Unit: mm [inch]



Ordering Information

Part Number	color	CPU Card Form Factor	Power Supply Wattage	Backplane	Switch
IPC-6806 Series					
IPC-6806-25DE	Gray	Full-sized	250W	-	ATX
IPC-6806P3-25DE	Gray	Full-sized	250W	PCA-6106P3-0D2E	ATX
IPC-6806S Series					
IPC-6806S-25CE	Gray	Half-sized	250W	-	AT
IPC-6806W Series					
IPC-6806W-35CE	Gray	Full-sized	350W	-	AT
IPC-6806WP-35CE	Gray	Full-sized	350W	PCA-6106P3-0D2E	AT

Power Supply Specification

Part Number	80 Plus Grade	Wattage	Type	Input
PS8-250FATX-XE	Bronze	250W	Single	AC100-240V (full-range)
PS8-350FATX-XE	Bronze	350W	Single	AC100-240V (full-range)