

LPC-P121S-LMx

12.1" Stainless Steel P-cap Panel PC with Intel 7th Gen Core™ i7/i5/i3, 6 sides IP66 Metal Waterproof connectors, DC 12V Power Input



Features

- ▶ 12.1" LCD with 1024*768 resolution
- ▶ 350nits LED Backlight
- ▶ DC 12V Power Input
- ▶ Metal Waterproof connectors at bottom side
- ▶ 6 Sides IP66
- ▶ 20~60°C Operating Temp



System	
Processor	Intel 7th Gen Core™ i7/i5/i3
System Memory	DDR3L SO-DIMM, up to 8 GB
External I/O Port	1 x USB 2.0 Type A 1 x RJ45 GbE LAN 1 x HDMI 1 x RS-232/422/485 (COM1) 1 x 3-Pin Power Input
Storage	1 x CFAST Slot 1 x mSATA (full size, share with mini-PCIe)
Operating System	Windows 10 IoT Enterprise LTSC
Expansion	2 x MiniPCIe Slot (1 share with mSATA)

LCD	
Display Type	12" TFT LCD
Max. Resolution	1024*768
Max. Color	16.7M
Luminance	350nits
View Angle	80/80/80/80
Backlight Lifetime	30,000 hours

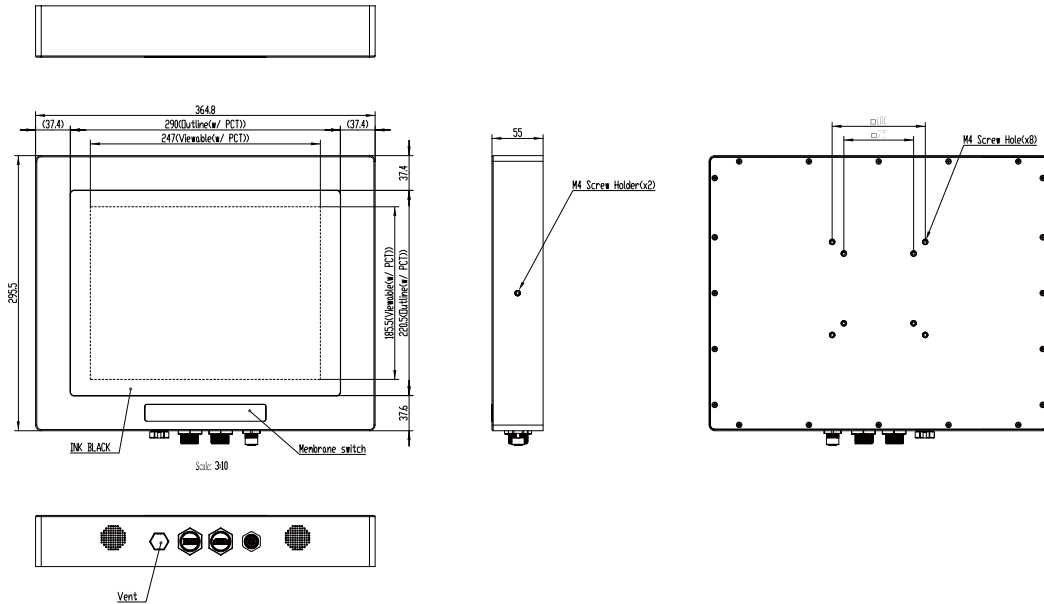
Environment	
Operating Temp	-20~60 °C · IEC-60068-2-1/2/14
Storage Temp	-20~60 °C
Humidity	10~90% @40 °C, non-condensing
EMC	FCC / CE Class A Certification
Vibration	1.5 Grms @10~500Hz, IEC-60068-2-64

Power Requirement	
Power Input	DC 12V Power Input

Touch Screen	
Type	USB P-Cap Touch

Mechanical	
Construction	SUS304 Stainless Steel Case
IP Rating	6 sides IP66
Mounting	VESA Mount, Yoke Mount
Dimension	TBC

Dimensions



Ordering Information

LPC-P121S-LMx	12.1" Stainless Steel P-cap Panel PC with Intel 7th Gen Core™ i7/i5/i3, 6 sides IP66 Metal Waterproof connectors, DC 12V Power Input
---------------	--

Ordering Code

LPC-P121S-LMx -H / -OB / -B / -AG / -AR / -V / -M

H = High Brightness 1000 nits LED backlight

OB = Optical Bonding

B = Glass Without Touch

AG = Anti-Glare

AR = Anti-Reflection

V = Vandal Proof Glass (By Project)

M = M12 Metal Connector