

MOS-1120Y-0202E

MOS-1121Y-0202E

MOS-1120Y-1402E

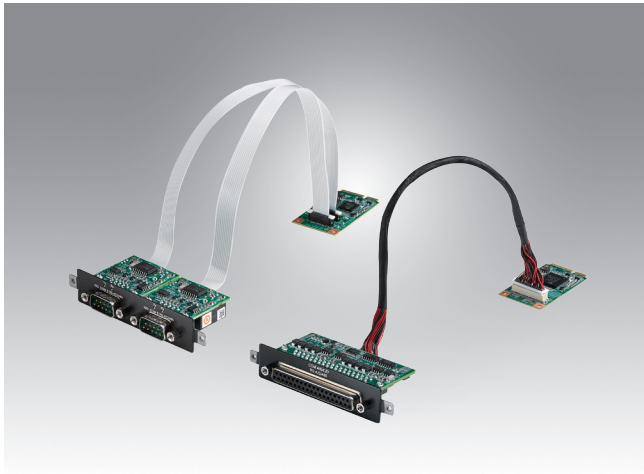
MOS-1121Y-1402E

Isolated RS-232, 2-Port, DB9, PCIe I/F

Isolated RS-422/485, 2-Port, DB9, PCIe I/F

Non-Isolated RS-232, DB37 to 4-port DB9, PCIe I/F

Non-Isolated RS-422/485, DB37 to 4-Port DB9, PCIe I/F



Features

- Meets Advantech Standard iDoor Technology
- PCI Express® Mini Card Specification Revision 1.2 compliant
- Speeds up to 921.6 kbps for extremely fast data transmission
- Supports any baud rate setting (50bps-921.6kbps)
- Supports both Isolated & Non-Isolated Protection with 2/4 Ports RS-232/422/485
- I/O address automatically assigned by PCIe plug & play
- Operating systems supported: Windows XP/7/8/10, and Linux
- XR17V352/XR17V354 UART with 256-byte FIFOs



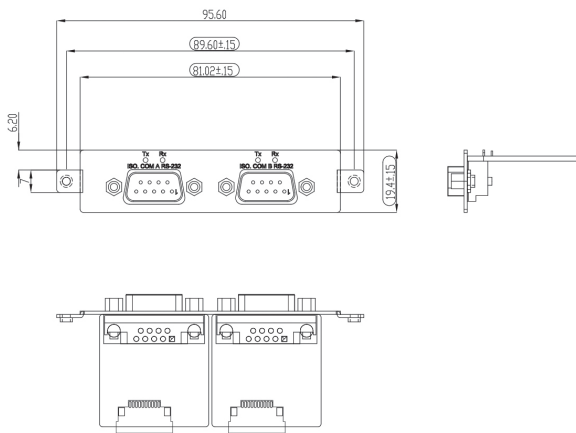
Specifications

General	Bus Type	PCI Express Mini Card Revision 1.2
	Certification	CE, FCC class A
	Connectors	2 x Male DB9 for MOS-112XY-0202E 1 x Female DB37 for MOS-112XY-1402E
	Dimensions	Module: 51 x 30 x 12.4 mm (2" x 1.18" x 0.49") I/O Plate: 95.6 x 19.4 x 41 mm (3.75" x 0.76" x 1.61")
	Power Consumption	400 mA @ +3.3 V for MOS-112XY-0202E 500 mA @ +3.3 V for MOS-112XY-1402E
Communications	Comm. Controller	XR17V352 for MOS-112XY-0202E XR17V354 for MOS-112XY-1402E
	Data Bits	5, 6, 7, 8
	Data Signals	RS-232: TX, RX, RTS, CTS, DTR, DSR, DCD, DI, GND RS-422: TX+, TX-, RX+, RX-, (MOS-1121Y-1402E) TX+, TX-, RX+, RX-, CTS+, CTS-, RTS+, RTS- (MOS-1121Y-0202E)
	FIFO	256 bytes
	Flow Control	Flow Control RTS/CTS (MOS-1121Y-1402E not supported), Xon/Xoff
	Parity	None, Odd, Even, Mark and Space
	Speed	50 bps ~ 921.6 kbps
	Stop Bits	1, 1.5, 2
Protection	Isolation Protection	2,000 V _{DC} for MOS-112XY-0202E
	ESD Protection	15 KV
	EFT Protection	1,000 V
	Surge Protection	1,000 V _{DC}
Software	Bundled Software	ICOM Tools & Drivers
	OS Support	Windows XP/7/8/10, and Linux
Environment	Humidity (Operating)	5-95% RH, non-condensing
	Operating Temperature	-20 ~ 60° C (-4 ~ 140° F)
	Storage Temperature	-40 ~ 85° C (-40 ~ 185° F)

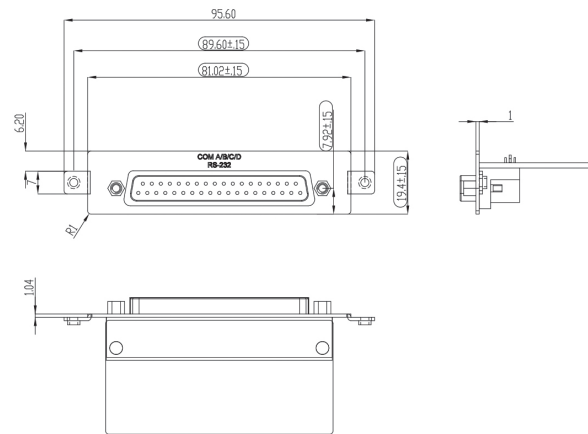
Dimensions

Unit: mm

MOS-112XY-0202E



MOS-112XY-1402E



Ordering Information

Part Number	Description
MOS-1120Y-0202E	Isolated RS-232, 2-Ports, DB9, PCIe I/F
MOS-1121Y-0202E	Isolated RS-422/485, 2-Ports, DB9, PCIe I/F
MOS-1120Y-1402E	Non-Isolated RS-232, DB37 to 4-port DB9, PCIe I/F
MOS-1121Y-1402E	Non-Isolated RS-422/485, DB37 to 4-Port DB9, PCIe I/F

Packing List

Part Number	Description
-	1 x Mini PCIe card
-	2 x DB9 I/O plates (MOS-1120Y-0202E/MOS-1121Y-0202E only)
-	1 x DB37 I/O plate (MOS-1120Y-1402E/MOS-1121Y-1402E only)
1700025162-01	1 x Host to I/O plate cable
1700021869-01	1 x DB37-to-DB9 (4 ports) cable (MOS-1120Y-1402E/MOS-1121Y-1402E only)
-	1 x Startup manual
-	1 x Warranty card