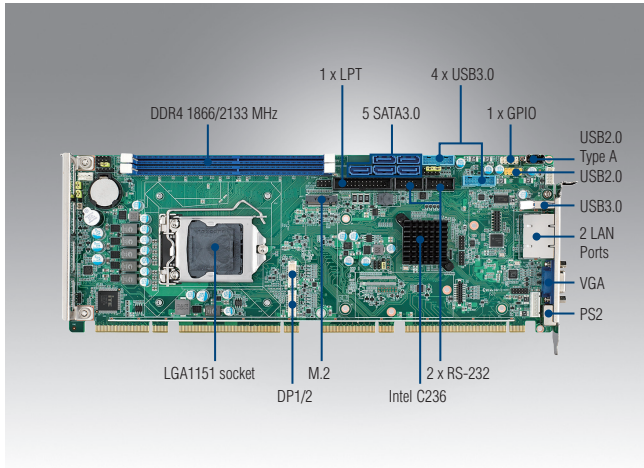


# PCE-5129

## LGA1151 6th and 7th Generation Intel® Core™ i7/i5/i3/Pentium/Celeron System Host Board with DDR4, SATA 3.0, USB 3.0, M.2, Dual GbE, and Triple Displays



### Features

- Intel® Core™ i7/i5/i3 LGA1151 processor with Q170 chipset
- Up to 32 GB of dual-channel (non-ECC) DDR4 1866/2133 MHz
- PCIe 3.0, M.2, USB 3.0, SATA 3.0, and SW Raid 0, 1, 5, 10
- Supports out-of-band remote management with AMT 11.0
- Supports Advantech's LPC modules, SUSIAccess, and embedded software APIs

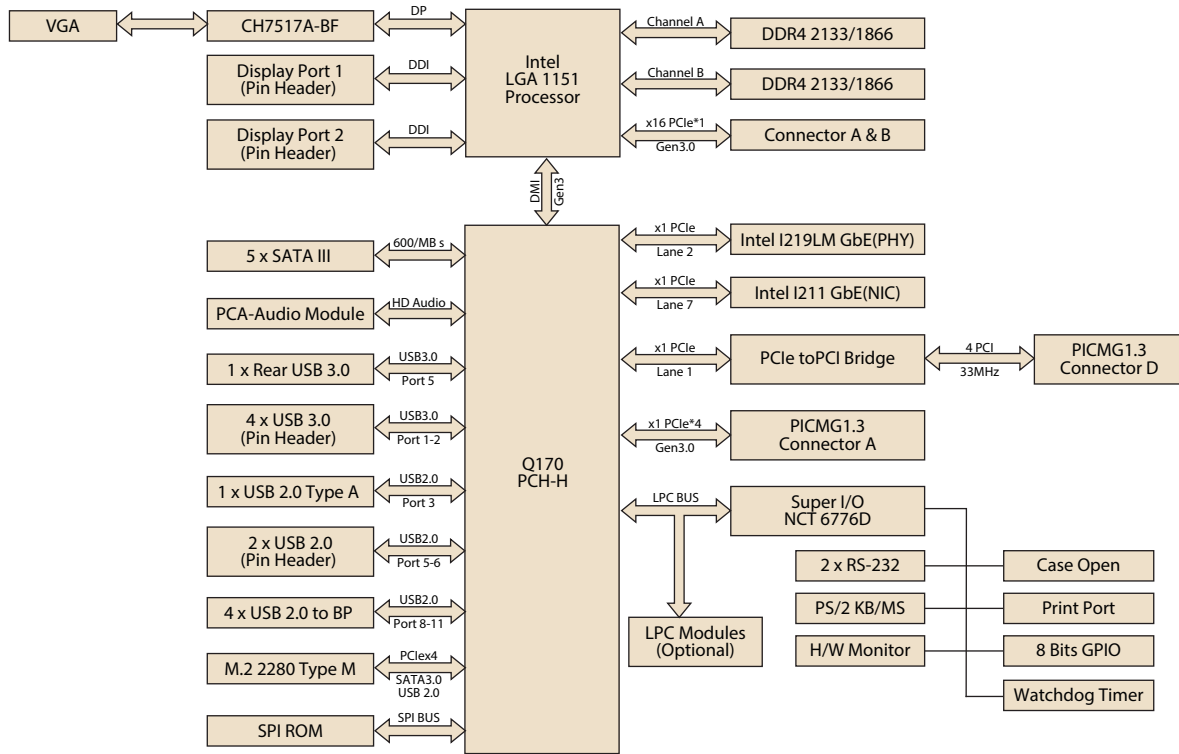
Note 1: Intel 7th generation processors only support Windows 10 (64-bit).

### Quiet Specifications



Processor System	CPU	i7-	i7-	i7-	i7-	i5-	i5-	i5-	i5-	i3-	i3-	i3-	i3-	G4400	G4400TE	G3900	G3900TE	
	Speed	7700	7700T	6700	6700TE	7500	7500T	6500	6500TE	7101E	7101TE	6100	6100TE	3.3GHz	2.9GHz	2.8GHz	2.6GHz	
	L3 Cache	3.6GHz	2.9GHz	3.4GHz	2.4GHz	3.4GHz	2.7GHz	3.2GHz	2.3GHz	3.9GHz	3.4GHz	3.7GHz	2.7GHz	3.3GHz	2.9GHz	2.8GHz	2.6GHz	
	Socket	8MB	8MB	8MB	8MB	6MB	6MB	6MB	6MB	6MB	3MB	3MB	4MB	4MB	3MB	3MB	2MB	2MB
	Chipset	LGA1151																
BIOS	Q170																	
Bus	PCI-Express	AMI 128 Mbit SPI																
	PCI	1 x PCIe x16 and 1 x PCIe x4 to backplane																
Memory	Technology	4 x PCI master to backplane, 32-bit, 33 MHz																
	Max. Capacity	Dual-channel (non-ECC) U-DIMM DDR4 1866/2133 MHz (supports x8 DDR4 1024 M)																
	Socket	32 GB (16 GB per DIMM)																
Graphics	Controller	2 x DDR4 288-pin DIMM																
	VRAM	Chipset integrated with Intel® HD Graphics																
	CRT	Shared system memory is subject to OS																
	DVI-D	Supports resolutions of up to 1920 x 1200 pixel @ 60 MHz																
	Triple Display	Supports resolutions of up to 1920 x 1200 pixel @ 60 MHz																
Ethernet	Interface	Supports resolutions of up to 1920 x 1080 pixel @ 60 Hz																
	Controller	Triple Display																
	Connector with LED	10/100/1000 Mbps																
Rear I/O	USB 3.0	LAN 1: Intel® I219-LM																
	Ethernet	LAN 2: Intel® I211																
	VGA	2 x RJ45																
	PS/2	1 (PS/2 Y cable supports 1 x keyboard and 1 x mouse)																
	Internal Connector	USB	7 x USB 2.0 (pin header*2 + USB Type A*1 + 4 on backplane)															
SATA (SW Raid 0,1,5,10)		4 x USB 3.0 (pin header)																
M.2 (2280 Type M)		5																
DP/DVI-D		1 (supports SATA 3.0 or PCIe x4)																
COM		2 (Pin header)																
Parallel		2																
GPIO		1																
Watchdog Timer	Output	IrDA																
	Interval	8bit																
Miscellaneous	Audio	System reset																
	Test Environment	Programmable 1-255 sec																
Power Requirement	Voltage	Intel® High Definition audio interface (requires audio extension module PCA-AUDIO-HDB1E)																
	Current	i7-6700, 3.4 GHz, 65 W, with 2 x 8-GB DDR4 2133																
	Operating	+12V																
Environment	Temperature	+5V																
	Humidity	+3.3V																
	Dimensions (L x H)	+5Vsb																
Physical	Operating	0.19A																
	Non-Operating	0.09A																
Physical	Temperature	0 - 60 °C (dependent on CPU and cooler solution)																
	Humidity	40 °C @ 85% relative humidity (non-condensing)																
Physical	Operating	60 °C @ 95% relative humidity (non-condensing)																
	Non-Operating	-40 - 85 °C																
Physical	Temperature	338 x 122 mm (13.3" x 4.8")																
	Humidity	60 °C @ 95% relative humidity (non-condensing)																

## Block Diagram



## Ordering Information

Part Number	PCH	Memory	Backplane	LAN	VGA	DP/DVI-D	COM	SATA III	M.2	USB 2.0	USB 3.0	S/W Raid	AMT
PCE-5129G2-00A1E	Q170	Non-ECC	PCE-5BXX	2	Yes	2*	2	5	1	7	5	Yes	Yes

Note: DP/DVI-D cable is optional

## Packing List

Part Number	Description	Quantity
1700003194	Serial ATA HDD data cable	x2
1701260305	COM + printer ports cable kit	x1
1700060202	Keyboard and mouse Y-cable	x1
1700002204	2-port USB cable kit	x1
2190000902	Warranty card	x1
2001512910	Startup manual	x1
2061512900	Utility CD	x1

## Optional Accessories

Part Number	Description
1960049408N001	CPU cooler for 1U Chassis and 84W TDP
1960077101N001	CPU cooler for 2U Chassis and 95W TDP
1960050255N001	4-port USB 3.0 cable w/BRK (30cm)
1960052651N021	CPU cooler for 2U/4U Chassis and 80W TDP
PCA-AUDIO-HDB1E	Audio module
PCA-COM232-00A1E	4-port RS-232 LPC module
PCA-COM485-00A1E	4-port RS-422/485 LPC module
1960050255N001	4-port USB 3.0 cable w/BRK (30cm)
1700020277-01	2-port USB 3.0 cable w/ BKT (30 cm)
1700021831-01	DP to DVI-D cable w/ BKT
PCE-DP10-00A1E	DP to DP cable w/ BKT
PCA-TPM-00B1E	TPM 2.0 Module

## I/O View



PCE-5129G2-00A1E