

## PCM-24BXWF

### iDoor Box with RED Certified Wireless WIFI Module

## PCM-24BX4G

### iDoor Box with RED Certified Wireless LTE Module

## Startup Manual

### Packing List

Before installation, please make sure that you have:

- 1 x iDoor box with wireless communication module and SMA cables inside.
- 2 x Antenna
- 1 x Startup manual
- 1 x Warranty card

If any of the above items are missing or damaged, please contact your distributor or sales representative immediately.

Please make sure your system already assembled with PCM-24BXXBK which includes internal bracket, signal cable and mPCIe card, then you can use iDoor box.

Contact sales if needed.

### Documentation/Software Support Guide

The support documentation and drivers can be accessed from the Advantech website.

- Documentation
- Datasheet

For more information on this and other Advantech products, please visit our website at:

<https://www.advantech.com/>

For technical support and service:

[https://support.advantech.com/support/new\\_default.aspx](https://support.advantech.com/support/new_default.aspx)

This startup manual is for PCM-24BX series.

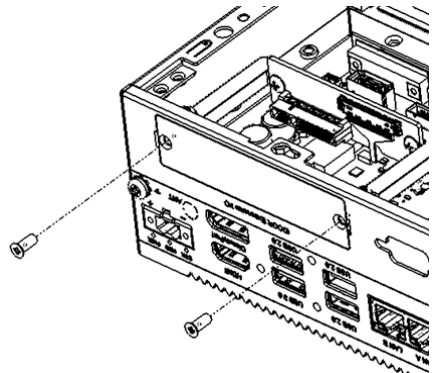
Part No. 204324BX00

Edition 1  
March 2020

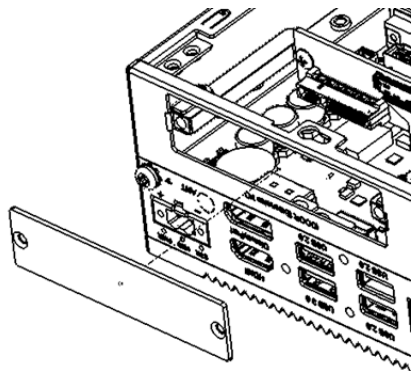
### Installation

Please follow the steps as below.

1. Please make sure your system already assembled with PCM-24BXXBK.  
Unscrew to remove the blank iDoor cover.

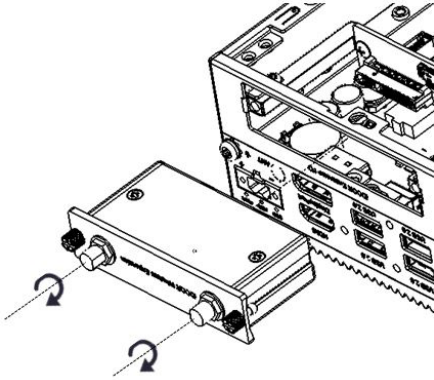


2. Remove the blank iDoor cover.

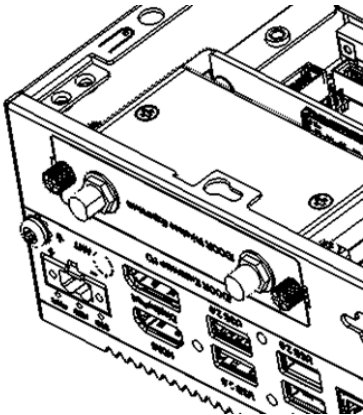


## Installation (Cont.)

- Insert iDoor box through the plate hole and plug into internal bracket (PCM-24BXBK).



- Finish.



## PIN Assignment

The following tables and figures show the pin assignments of the connector on the I/O module.

PIN1	+V12	PIN2	+V5
PIN3	+V12	PIN4	+V5
PIN5	N/A	PIN6	GND
PIN7	GND	PIN8	+V3.3_AUX
PIN9	GND	PIN10	+V3.3_AUX
PIN11	GND	PIN12	+V3.3_AUX
PIN13	I2C_CLK	PIN14	SMBUS_CLK
PIN15	I2C_DAT	PIN16	SMBUS_DAT
PIN17	W_DISABLE#	PIN18	N/A
PIN19	W_DISABLE2#	PIN20	PCIE_CLKREQ#
PIN21	PERST#_CN	PIN22	PCIE_WAKE#
PIN23	N/A	PIN24	N/A
PIN25	N/A	PIN26	N/A
PIN27	N/A	PIN28	N/A
PIN29	N/A	PIN30	N/A
PIN31	GND	PIN32	GND
PIN33	CON_USB2_DP	PIN34	PCIE_TX+
PIN35	CON_USB2_DN	PIN36	PCIE_TX-
PIN37	GND	PIN38	GND
PIN39	N/A	PIN40	PCIE_RX+
PIN41	N/A	PIN42	PCIE_RX-
PIN43	GND	PIN44	GND
PIN45	N/A	PIN46	PCIE_CLK+
PIN47	N/A	PIN48	PCIE_CLK-
PIN49	GND	PIN50	GND

