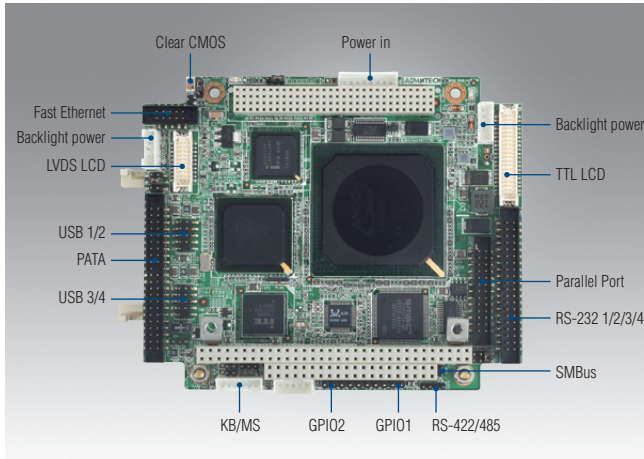


PCM-3353

AMD LX800/LX600 PC/104-Plus SBC, VGA, LVDS, TTL, Ethernet, USB, COM, CFC



Features

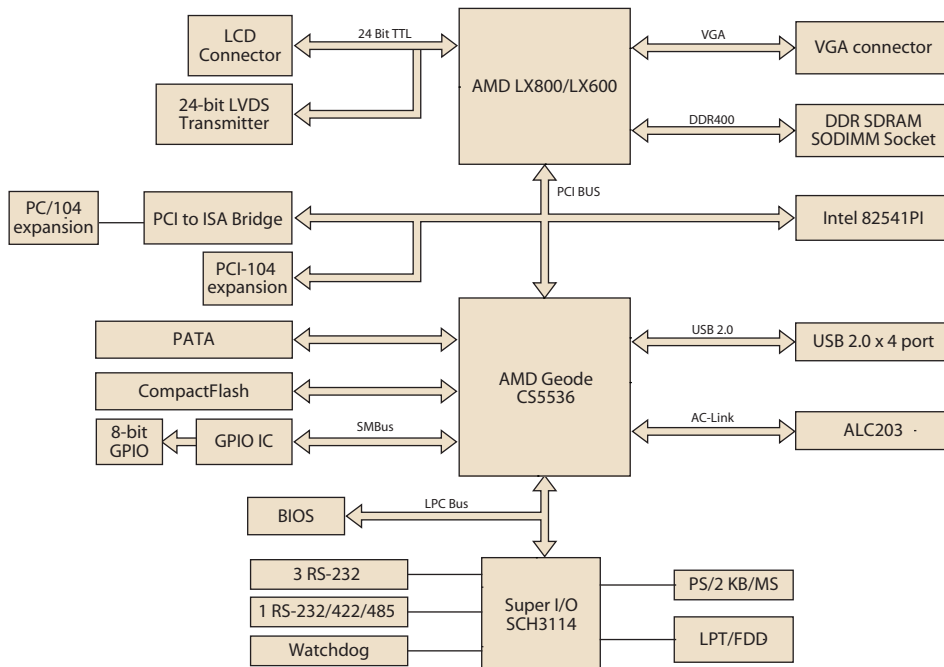
- AMD low power LX800 500 MHz/LX600 366 MHz processor
- 24-bit TFT LCD interface, 18/24-bit (JEIDA format) LVDS display
- PC/104-plus Expansion
- Supports up to 4 COM ports, 4 USB ports
- Supports SUSIAccess and Embedded Software APIs



Specifications

Processor System	CPU	AMD Geode™ LX800 500 MHz/AMD Geode™ LX600 366 MHz
	Frequency	500 MHz / 366 MHz
	L2 Cache	128 KB
	System Chipset	AMD CS5536
Memory	BIOS	Award 4-Mbit
	Technology	DDR 333/400 MHz
	Max. Capacity	1 GB
Display	Socket	1 x 200-pin SODIMM
	Chipset	AMD Geode LX800 / LX600
	VRAM	Optimized Shared Memory Architecture up to 64 MB system memory
	LVDS	Single channel 18/24-bit (JEIDA format) LVDS up to 1600 x 1200 x 32 bpp at 60 Hz Supports up to 1920 x 1440 x 32 bpp at 85 Hz
	VGA	Supports up to 1600 x 1200 x 32 bpp at 100 Hz
	TTL LCD	Supports up to 1600 x 1200 x 32 bpp at 60 Hz for 24-bit single channel TFT Panel
Ethernet	Dual Display	VGA+TTL, VGA+LVDS
	Speed	10/100/1000 Mbps
	Controller	Intel 82541PI
Audio	Connector	Box Header
Watchdog Timer	Chipset	Realtek ALC203
		Output System Reset Programmable counter from 1 ~ 255 minutes/ seconds
Storage	CompactFlash	CompactFlash socket (Type I)
	PATA	1 Channel
	Floppy	1, 82077AA compatible (transfer from LPT, available by custom BIOS)
Internal I/O	USB	4 x USB 2.0
	Serial	3 RS-232 from COM1/3/4, 1 RS-232/422/485 from COM2 with RS-485 auto flow control (ESD protection for RS-232: Air gap ±15 kV, Contact ±8 kV)
	Parallel (LPT)	1, IEEE 1284, EPP, and ECP compatible (FDD mode supported)
	SMBus	1
	Keyboard/Mouse	1
	GPIO	8-bit general purpose input/output
Expansion	PC/104-Plus slot	1
Power	Power Type	AT
	Power Supply Voltage	5V ± 5% only to boot up (12 V is optional for LCD inverter and add on card)
	Power Consumption (Typical)	LX800: 1.35 A @ +5 V, 0.1 A @ +12 V (7.95 Watt)
	Power Consumption (Max, test in HCT)	LX800: 1.51 A @ +5 V, 0.1 A @ +12 V (8.75 Watt)
	Power Management	APM1.2
	Battery	Lithium 3 V / 196 mAH
Environment	Operational	0 ~ 60° C (32 ~ 140° F) (Operational humidity: 40° C @ 85% RH non-condensing)
	Non-Operational	-40° C ~ 85° C and 60° C @ 95% RH non-condensing
Physical Characteristics	Dimensions (L x W)	96 x 115 mm (3.8" x 4.5")
	Weight	0.574 kg (1.26 lb) (with heat-sink)
	Height	Top Side: 11.45 mm; Bottom Side: 10.6 mm

Block Diagram



Ordering Information

Part No.	CPU	Memory	VGA	LVDS	TTL	GbE	USB 2.0	RS-232	RS-232/422/485	Audio	Expansion	Thermal Solution	Operational Temp.
PCM-3353F-L0A2E	AMD LX800	SODIMM	Yes	18/24-bit	24-bit	1	4	3	1	Yes	PC/104+	Passive	0 ~ 60° C
PCM-3353F-J0A2E	AMD LX600	SODIMM	Yes	18/24-bit	24-bit	1	4	3	1	Yes	PC/104+	Passive	0 ~ 60° C
PCM-3353Z-512L0A2E	AMD LX800	512 MB bundled	Yes	18/24-bit	24-bit	1	4	3	1	Yes	PC/104+	Passive	-20 ~ 80° C
PCM-3353Z2-512L0A2E	AMD LX800	512 MB bundled	Yes	18/24-bit	24-bit	1	4	3	1	Yes	PC/104+	Passive	-40 ~ 85° C

Note: Wide temperature range version has been bundled with industrial-grade memory module

Note: Passive = fanless; Active = with fan

Packing List

Part No.	Description	Quantity
	PCM-3353 SBC	
	Startup Manual	
	Utility CD	
1700000898	VGA cable D-SUB 15P(F)/12P-1.25 mm 15 cm	1
1700000918	Audio cable 10 cm	1
1700003491	AT power cable 1 x 8P-2.0/B4P-5.08 x 2 15 cm	1
1700060202	Cable 6P-6P-6P PS/2 KB & Mouse 20 cm	1
1700260250	LPT Port cable 25P to 26P 2.0 mm 25 cm	1
1701100202	LAN Flat Cable IDC10P 2.0 mm/RJ-45 20 cm	1
1701400181	COM 4 ports Flat Cable 18 cm IDC40P 2.0 mm	1
1701440350	IDE cable 44P/44P/44P 35 cm	1
1703040157	RS-422/485 W/D-SUB COM 4P 15 cm	1
1703060053	PS2 Cable 6P (MINI-DIN)-6P (Wafer 2.0 mm) 6 cm	1
1703100121	USB 2-Port cable 10P 12 cm IDC 2.0 mm	1
9660104000	PC/104 screw and copper post package	1
1960005764	Heatsink for PCM-3353 (80.44 x 77.97 x 7.82 mm)	1

Optional Accessories

Part No.	Description
1653130421	PCI-104 connector 120-pin (Long pin)
165313222B	PC/104 connector 64-pin (Long pin)
165312022B	PC/104 connector 40-pin (Long pin)
1960037701N000	CF retainer for anti-vibration
1700001531	LPT to FDD cable

Embedded OS/API

Embedded OS/API	Part No.	Description
WinCE	2070000729	Image PCM-3353 CE 5.0 Pro Plus Eng
	2070001612	CE6.0 Pro GX3 4 COM V1.0 ENG
	2070005769	CE6.0 Pro GX3 2 COM V1.1 JPN
Win XPE	2070009905	Image XPE WES2009 PCM-3353 A2 V4.0 ENG
	2070009906	Image XPE WES2009 PCM-3353 A2 V4.0 24MUI 6.4.1/6.3.2
Linux		Ubuntu 9.10
Software API	205E000019	SUSI 3.0 SW API for ESBC B: 20091116 XP