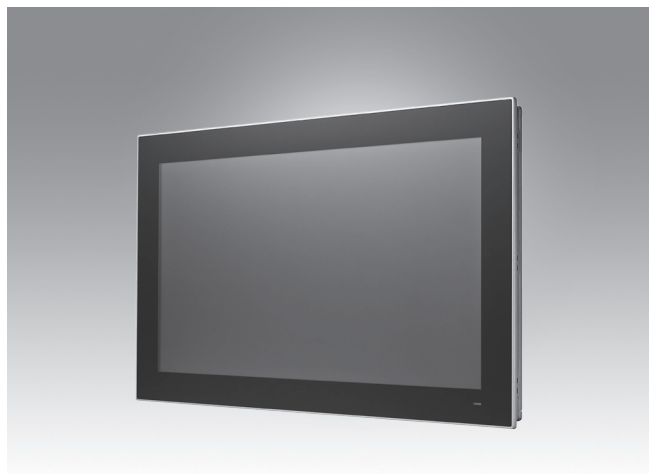


PPC-3181SW

18.5" Fanless Panel PC with Intel® Core™ i5-6300U Processor



Features

- Industrial-grade 18.5" LCD panel with 50k backlight lifetime
- True-flat touchscreen with multi-touch projected capacitive control
- High-performance, fanless 6th generation Intel® Core™ i processor
- Up to 16 GB DDR4 SDRAM
- Compact, fanless design with aluminum alloy enclosure
- IP65-rated front panel
- Supports dual displays (1 x external HDMI)
- Supports full-size mini PCIe expansion
- Supports USB 3.0
- Supports VESA 100



Introduction

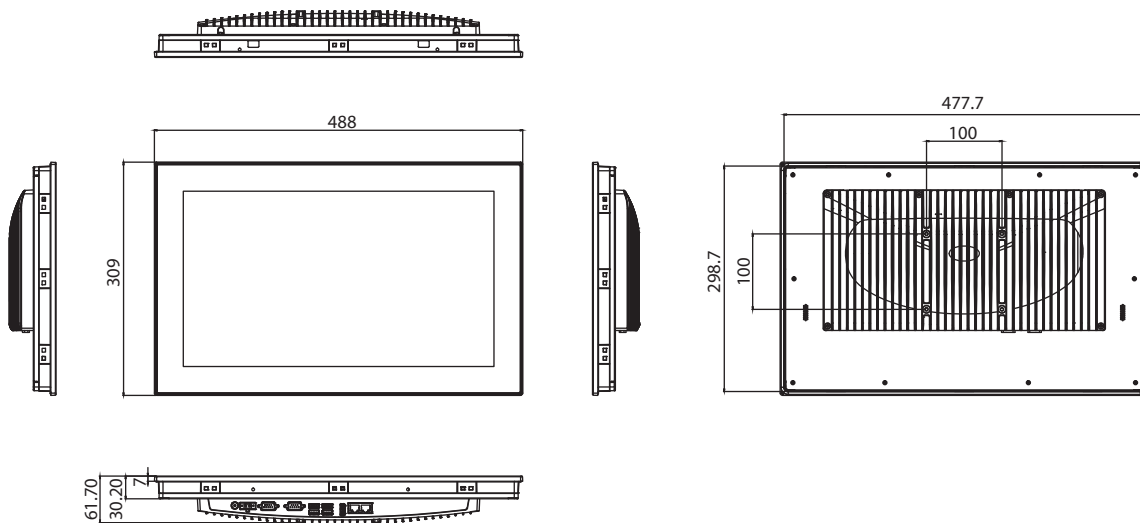
The PPC-3181SW is an all-in-one light panel PC with a wide format 18.5" industrial-grade LCD. Powered by 6th generation Intel® Core™ i processor, PPC-3181SW provides excellent performance, memory, graphics, and peripheral I/O support in a compact, fanless, embedded system. With a high durability design, PPC-3181SW features a true-flat touchscreen with IP65-rated front panel, and die cast aluminum alloy enclosure, making it ideal for diverse applications.

Specifications

System	CPU	6th gen Intel® Core™ i5-6300U dual core (i7-6500U/i3-6100U optional)
	Frequency	2.4 GHz; 3.0 GHz with turbo boost
	L2 Cache	3 MB
	Memory	1 x SODIMM DDR4 1866/2133 MHz (max. 16 GB) (1.2 V)
	Storage	1 x 2.5" SATA bay 1 x mSATA bay
	Network (LAN)	2 x 10/100/1000 Mbps Ethernet (Intel I211-AT; Intel I219LM)
	I/O	2 x Serial ports: 1 x RS-232, 1 x RS-232/422/485(Adjustable through BIOS) 2 x USB 3.0, 2 x USB 2.0 1 x HDMI
	Speaker	2 x 1W
	Expansion	1 x Full-size mini PCIe slot
	Watchdog Timer	255 timer levels, set up by software
Physical Characteristics	Dimensions	488 x 309 x 61.7 mm (19.2 x 12.1 x 2.4 in)
	Weight	5.7 kg (12.56 lb)
OS Support	OS Support	Microsoft® Windows 7/8.1/10 (32/64-bit), WES7, Linux
Power Consumption	Input Voltage	12 ~ 24 V _{dc}
	Power Consumption	65W
LCD	Display Type	18.5" TFT LCD (LED backlight)
	Resolution	1366 x 768
	Viewing Angle	85 (left), 85 (right), 80 (up), 80 (down)
	Luminance (cd/m ²)	450
	Contrast Ratio	1000
	Backlight Lifetime	50,000 hr
Touchscreen	Touch Type	10-point multi-touch projected capacitive
	Light Transmission	90 % ± 3 %
	Controller	USB interface
Environment	Operating Temperature	0 ~ 50 °C (32 ~ 122 °F) for SSD 0 ~ 45 °C (32 ~ 113 °F) for HDD
	Storage Temperature	-20 ~ 60 °C (-4 ~ 140 °F)
	Relative Humidity	10 ~ 95% @ 40 °C (non-condensing)
	Shock	Operating 10 G peak acceleration (11 ms duration), follow IEC 60068-2-27
	Vibration	Operating Random Vibration Test 5 ~ 500Hz, 1Grms @with HDD; 2Grms @with SSD, follow IEC 60068-2-64
	EMC	CE, FCC Class B, BSMI
	Safety	CB, CCC, BSMI, UL
Front Panel Protection	IP65 compliant	

Dimensions

Unit: mm

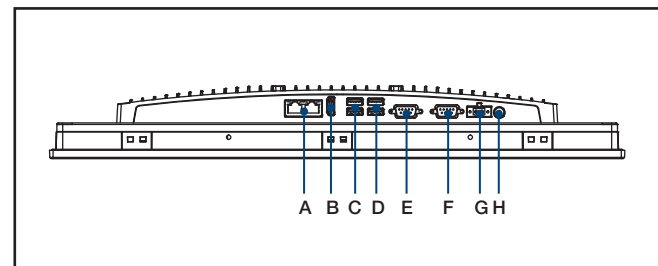


Panel Cutout Dimensions: 479.3 x 300.3 mm (18.87 x 11.82 in)

Ordering Information

Part Number	Description
PPC-3181SW-P65A	Intel Core i5-6300U Fanless Panel PC with 18.5" Full HD LED backlight
96PSA-A90W190T-1	ADP A/D 100-240V 90W 19V W/PFC
PPC-WLAN-B1E	Wi-Fi Module with Antenna Cable 40cm for PPC
PPC-ARM-A03	ARM VESA Standard (A-CLEVER) for PPC series
PPC-174T-WL-MTE	Wall mount kit for PPC series
PPC-Stand-A1E	Stand for PPC series
1700001524	Power cord 3P UL 10A 125V 1.8M
170203183C	Power cord 3P Europe (WS-010+083) 183cm
1700008921	Power cord 3P/3P 1.8M PSE
96CB-POWER-B-1.8M	Power cord 3P CCC(China) 1.8M

I/O View



- A. 2 x LAN
- B. HDMI
- C. 2 x USB 3.0
- D. 2 x USB 2.0
- E. COM2: RS-232/422/485
- F. COM1: RS-232
- G. DC-In
- H. Power Button