



Quick Installation Guide

Safety instruction

Please take care to following instructions:

- Use the router in compliance with national and international law and in compliance with any special or additional restrictions regulating use of the Hirschmann router in the various applications and environments.
- To avoid possible injury and/or damage to the device, observe the relevant provisions and standards. Use only the original accessories as recommended. Unauthorized device or accessory modification, or using accessories that have not been approved can result in router damage and/or violation of the regulations.
- Unauthorized device or accessory modification or using the accessories that have not been approved can result in warranty termination.
- Do not open the router.
- **Caution!** The SIM card can be swallowed by small children.
- When connecting the device to a power supply do not exceed the defined voltage.
- Do not expose the router to extreme ambient conditions. Protect the router against dust, moisture, and high temperature.
- It is recommended that you do not use the router at petrol filling stations. We recommend observing local restrictions concerning the use of radio-based devices while working with explosive material for example, at petrol filling stations, or in chemical plants.
- While using the router close to personal medical devices, such as cardiac pacemakers or hearing aids, proceed with heightened caution.
- Operating the router too close to TV sets, radio receivers, personal computers, or telephones can cause interference.
- It is recommended that you create a copy or backup of the important settings stored in the memory of the router.

For further product information please visit our web site at
<http://www.hirschmann.com/en/QR/OWL-Industrial-Cellular-Routers>
(please pay attention to the use of upper and lower case letters)



First use

Before you apply power to the router, connect the components that you required for your applications.

You cannot operate the router without an antenna connected, a SIM card inserted in the slot, or the power supply connected.

Note: If you do not have an antenna connected during operation of the router, the router can be damaged!

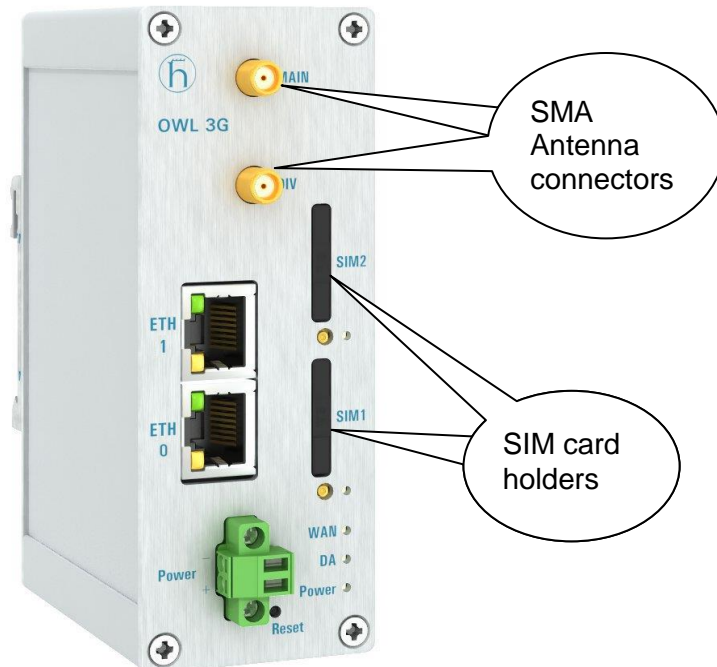
Antenna connection

Use an SMA connector to connect the antennas to the router. The main antenna is connected to the router by screwing it in to the MAIN connector (see the figure below).

Inserting SIM card

The SIM card reader, for 3 V and 1.8 V SIM cards, is located on the front panel of Hirschmann router. To operate the router, it is necessary to insert an activated SIM card with an unblocked PIN into the SIM card reader.

Slide the SIM card holder out by pressing the small yellow button located below the SIM card socket. Insert the SIM card into the holder and push the holder into the reader (see the figure below).



Power cable connection

The router requires an external DC power supply. The DC voltage required is between +12 to +24 V DC. The router has built-in protection against reverse polarity without signaling.

Connect the power cable to the Power connector on the front panel of the router and tighten the locking screws (see the figure below).

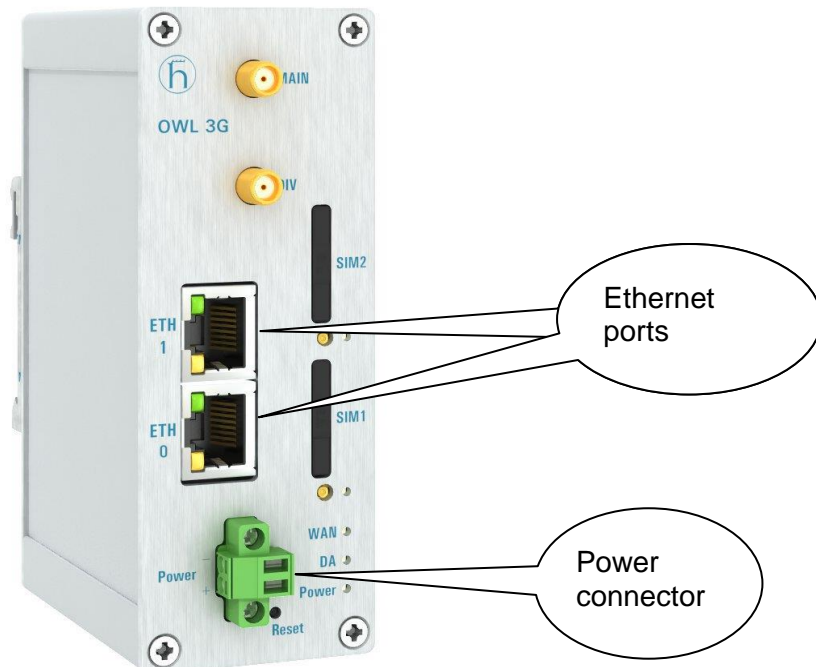
Grounding the device (functional earth)

Ground the device by connecting the minus pole (GND) of the power supply connector to earth. When you mount the device on a DIN rail, then the DIN rail can provide the ground.

The shield of a shielded twisted pair cable is connected to the housing and the minus pole of the power supply socket.

Ethernet cable connection

The Ethernet cable is connected to the ETH connector (see the figure below). The Ethernet cable is used to configure and communicate with the router.



Configuration Settings

Configuring the device using the web browser

You can access the router for status monitoring, configuration, and administration after entering the IP address of the router into the web interface. The default router IP address is 192.168.1.1 netmask 255.255.255.0 on ETH0. Configuration access is allowed for the user "admin" with the initial password "private".

For a detailed description and examples of router configurations, see the Configuration manual on the Hirschmann web site:

[http://www.hirschmann.com/en/QR/OWL-Industrial-Cellular-Routers.](http://www.hirschmann.com/en/QR/OWL-Industrial-Cellular-Routers)

Restoring and backing up the router configuration

After you reset the router, the current configuration is overwritten by the default settings. We recommend that you back up the router configuration before resetting the device. Refer to the Configuration manual for more information.

When the Power LED starts blinking, it is possible to restore the default settings of router by pressing the Reset button on the front panel. After pressing the Reset button, the default configuration is restored. After a short time, the green LED turns on.

After logging on to the device for the first time, we strongly recommend that you change the default password due to security reasons.

CE-marking

The labeled devices comply with the regulations contained in the following European directives:

2011/65/EU (RoHS)

Directive of the European Parliament and of the Council on the restriction of the use of certain hazardous substances in electrical and electronic equipment:

1999/5/EC (R&TTE)

Directive of the European Parliament and the council for radio installations and telecommunication systems and for the mutual recognition of their conformity:

This product may be operated in all EU (European Union) countries.

In accordance with the above-named EU directives, the EU declaration of conformity will be at the disposal of the relevant authorities at the following address:

Hirschmann Automation and Control GmbH
Stuttgarter Str. 45-51
72654 Neckartenzlingen
Germany
Tel.: +49 1805 141538

The product can be used in living areas (living area, place of business, small business) and in industrial areas.

E marking

The labeled devices comply with the regulations contained in the following European directive(s):

Rule No. 10 of the Economic Commission for Europe (ECE): Devices with an approval are labeled with the E type-approval mark.