

# Hazloc Panel PC

(Intel® Haswell Platform)

## Flat Touch Panel Mount Panel PC

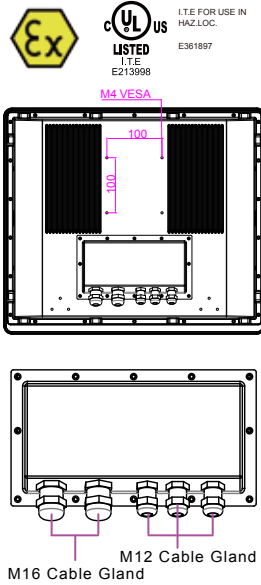
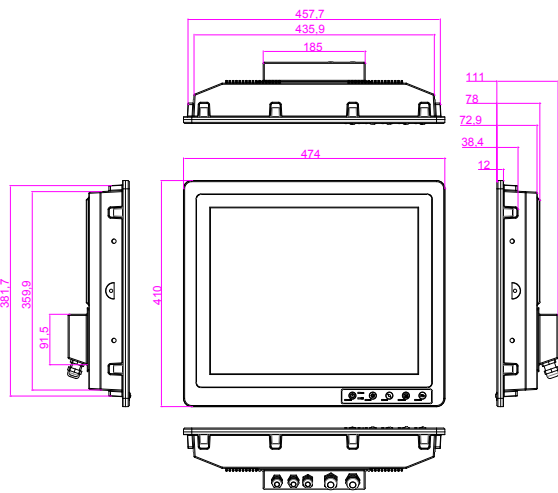
MODEL #: R19IHAT-66EX

Mechanical Design

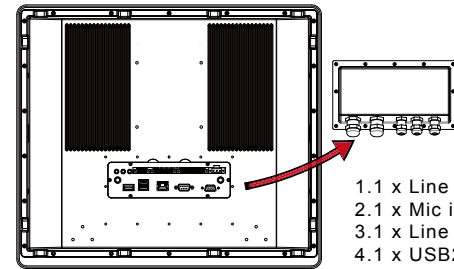


### Features

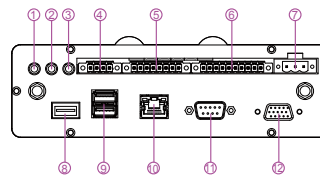
- Class1, Division2 & ATEX Zone 2 certified for hazardous area applications
- High performance / low power Intel Haswell Core i7-4650U / i5-4300U Processor
- 19-inch 350 nits LCD panel (Optional high brightness 1000nits panel)
- Fanless, streamlined enclosure for highly efficient heat dissipation
- Touch screen control button to enable/disable touch screen interface
- Front control membrane keys Lockable by software
- Optional WLAN



Remove the I/O Cover to reach internal I/O Ports



- 1.1 x Line in
- 2.1 x Mic in
- 3.1 x Line Out
- 4.1 x USB2.0 terminal block
- 5.1 x LAN terminal block
- 6.1 x RS232/422/485 terminal block
- 7.1 x 9~36V DCin terminal block
- 8.1 x USB2.0
- 9.1 x USB2.0/3.0
- 10.1 x RJ45 LAN
- 11.1 x RS232/422/485(DB9)
- 12.1 x VGA(DB15)



\* Note: this is a simplified drawing and some components are not marked in detail. Please contact our sales representative if you need further product information.

### System Specifications

#### TFT LCD Characteristics

- Resolutions : 1280 x 1024
- Brightness : 350 cd/m<sup>2</sup> (typ.), Optional 1000 cd/m<sup>2</sup>
- Contrast Ratio : 1000 : 1 (typ.)
- Viewing Angles : -85~85(H);-80~80(V)
- Max Colors : 16.7M
- Touch Screen : Projected Capacitive

#### System Specifications

- Processor : Intel® Core i7-4650U max. 3.3GHz
- BIOS : AMI BIOS
- System Chipset : Intel® HD graphics 5000
- Memory Slot : 1x DDR3L SO-DIMM 1600 MHz, 8GB default
- Storage : mSATA SSD 64GB, option up to 256GB
- Optional Second Storage : 2.5" SSD 64GB to 256GB

#### Standards and Certifications

- Safety : UL60950-1, CSA C22.2 No. 60950-1-07, ATEX Zone2 Meet standards EN60079-0, EN60079-11, EN60079-15 IECEx Zone2 Meet standards IEC60079-0, IEC60079-11, IEC60079-15
- Hazardous Location : ANSI/ISA12.12.01 Class I, Div.2, Groups A B C D T4A CAN/CSA C22.2 No. 213-M1987 ATEX II 3 G Ex ic nA IIC T4 Gc
- CE, FCC, UL508
- Shock : MIL-STD-810G Method 516.6
- Drop : MIL-STD-810G Method 516.6
- Vibration : MIL-STD-810G Method 514.6
- IP Rating : IP67 Meet standards IEC60529

#### Mechanical Specification

- Cooling System : Fanless design
- Dimension(W x H x D) : 474mm x 410mm x 111mm
- Gross Weight : 13kg
- Net Weight : 13.5kg

#### Power Specifications

- Power Input : 9~36V DC input (isolation)

#### Environment Considerations

- Operating Temperature : -40°C to 70°C (with intelligent heater)
- Operating Humidity : 5 to 95%

#### External Connectors

- 2 x Ex-Type Brass Cable Gland M16 (Cable range 7.5~10.2mm)
- 3 x Ex-Type Brass Cable Gland M12 (Cable range 5.4~8mm)

#### Internal Connectors: (open the back cover to reach)

- 1 x USB 2.0 terminal block
- 1 x LAN terminal block
- 1 x RS232/422/485 terminal block
- 1 x 9~36V DC input terminal block
- 1 x USB 3.0, 2 x USB 2.0 (female type)
- 1 x RJ45 LAN
- 1 x RS232/422/485 (DB9)
- 1 x VGA (DB15)

#### Operating System (Optional)

- Windows Embedded Standard 7
- Windows 7 PRO for Embedded System
- Windows Embedded 8 Standard
- Windows Embedded 8.1 Industrial
- Windows 10 IoT Enterprise

Note: All Specifications are subject to change without prior notice!

Revised Date:02/17/2016 V1.3

