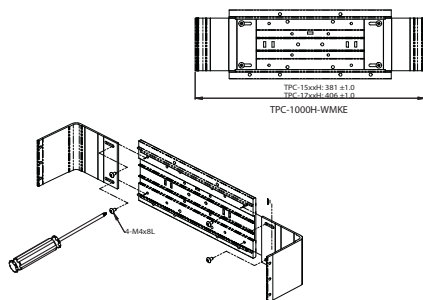


TPC Series Desktop Installation Guide

Assembly Instructions

TPC-1000H stand kit is suitable for desktops and other horizontal locations. A unique spring inside the stand allows the panel PC's to be vertically tilted to approximately 30 degrees.

1. Assemble the arms of the stand with the holding plate by using the four M4x8L Truss head Phillips screws in the packet.
2. Slide the main body of the stand into the stand base. The bottom of the main body should slide perfectly into the back plate of the base. Secure the main body to the base with two M4x8L flat head Phillips screws provided.
3. Assemble the rear cover with the main body through the groove. When the rear cover locks into place, you will hear a click.
4. Assemble the top cover with the holding plate through the groove. To be inserted the cover must first be rotated. When the top cover locks into place, you will hear a click.
5. Assemble the holding plate (TPC-1000H-WMKE) with the front cover of the TPCs by screwing the four or six M4x6L screws depending on the panel size, as shown below:



Packing List

Contact Advantech if any of the following parts are missing.

- Main Body
- TPC-1000H-WMKE as a holding plate
- Base
- Top cover
- Rear cover
- Packet of Screws

Notes

For more information on this and other Advantech products, please visit our websites at:

<http://www.advantech.com>

For technical support and service:

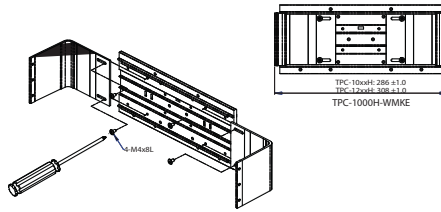
<http://www.advantech.com/support/>

This installation guide is for TPC Series Desktop Installation Guide.

Part No. 2003TPC020

1st Edition

May 2012



Note: The base of the stand has two plastic caps. If you pry off the caps, you can attach the stand to your desktop by using two screw holes.

