

USB-4716

**200 kS/s, 16-bit, USB
Multifunction Module**

User Manual

Copyright

The documentation and the software included with this product are copyrighted 2006 by Advantech Co., Ltd. All rights are reserved. Advantech Co., Ltd. reserves the right to make improvements in the products described in this manual at any time without notice. No part of this manual may be reproduced, copied, translated or transmitted in any form or by any means without the prior written permission of Advantech Co., Ltd. Information provided in this manual is intended to be accurate and reliable. However, Advantech Co., Ltd. assumes no responsibility for its use, nor for any infringements of the rights of third parties, which may result from its use.

Acknowledgements

Intel and Pentium are trademarks of Intel Corporation.

Microsoft Windows and MS-DOS are registered trademarks of Microsoft Corp.

All other product names or trademarks are properties of their respective owners.

Product Warranty (2 years)

Advantech warrants to you, the original purchaser, that each of its products will be free from defects in materials and workmanship for two years from the date of purchase.

This warranty does not apply to any products which have been repaired or altered by persons other than repair personnel authorized by Advantech, or which have been subject to misuse, abuse, accident or improper installation. Advantech assumes no liability under the terms of this warranty as a consequence of such events.

Because of Advantech's high quality-control standards and rigorous testing, most of our customers never need to use our repair service. If an Advantech product is defective, it will be repaired or replaced at no charge during the warranty period. For out-of-warranty repairs, you will be billed according to the cost of replacement materials, service time and freight. Please consult your dealer for more details.

If you think you have a defective product, follow these steps:

1. Collect all the information about the problem encountered. (For example, CPU speed, Advantech products used, other hardware and software used, etc.) Note anything abnormal and list any onscreen messages you get when the problem occurs.
2. Call your dealer and describe the problem. Please have your manual, product, and any helpful information readily available.
3. If your product is diagnosed as defective, obtain an RMA (return merchandise authorization) number from your dealer. This allows us to process your return more quickly.
4. Carefully pack the defective product, a fully-completed Repair and Replacement Order Card and a photocopy proof of purchase date (such as your sales receipt) in a shippable container. A product returned without proof of the purchase date is not eligible for warranty service.
5. Write the RMA number visibly on the outside of the package and ship it prepaid to your dealer.

CE

This product has passed the CE test for environmental specifications when shielded cables are used for external wiring. We recommend the use of shielded cables. This kind of cable is available from Advantech. Please contact your local supplier for ordering information.

Technical Support and Assistance

Step 1. Visit the Advantech web site at **www.advantech.com/support** where you can find the latest information about the product.

Step 2. Contact your distributor, sales representative, or Advantech's customer service center for technical support if you need additional assistance. Please have the following information ready before you call:

- Product name and serial number
- Description of your peripheral attachments
- Description of your software (operating system, version, application software, etc.)
- A complete description of the problem
- The exact wording of any error messages

Document Feedback

To assist us in making improvements to this manual, we would welcome comments and constructive criticism. Please send all such - in writing to: support@advantech.com

Safety Precaution - Static Electricity

Follow these simple precautions to protect yourself from harm and the products from damage.

1. To avoid electrical shock, always disconnect the power from your PC chassis before you work on it. Don't touch any components on the CPU card or other cards while the PC is on.
2. Disconnect power before making any configuration changes. The sudden rush of power as you connect a jumper or install a card may damage sensitive electronic components.

Contents

Chapter 1	Introduction	2
1.1	Features	2
1.2	Software Overview.....	3
1.2.1	More on the CD	3
Chapter 2	Installation	6
2.1	Unpacking	6
2.2	Driver Installation	7
2.3	Hardware Installation	9
2.4	Hardware Uninstallation	9
	Figure 2.1:Unplug or Eject Hardware Dialog	10
	Figure 2.2:Stop a Hardware device dialog box	10
Chapter 3	Signal Connections	12
3.1	Overview	12
3.2	I/O Connectors	12
3.2.1	Pin Assignment	12
	Figure 3.1:I/O Connector Pin Assignment	13
3.2.2	I/O Connector Signal Description	14
	Table 3.1:I/O Connector Signal Description	14
3.2.3	LED Indicator Status Description	15
	Table 3.2:LED Indicator Status Description	15
3.3	Analog Input Connections.....	16
3.3.1	Single-ended Channel Connections	16
	Figure 3.2:Single-Ended Input Channel Connection ...	16
3.3.2	Differential Input Connections	17
	Figure 3.3:Differential Input Channel Connection	17
3.4	Analog Output Connections (Voltage).....	18
	Figure 3.4:Analog Output Channel Connections	18
3.5	Trigger Source Connections.....	18
3.5.1	Internal Pacer Trigger Connection	18
3.5.2	External Trigger Source Connection	18
3.6	Field Wiring Considerations	19
Appendix A	Specifications	22
A.1	Analog Input.....	22
A.2	Analog Output.....	23
A.3	Non-Isolated Digital Input/Output	23
A.4	Counter	24
A.5	General	24

Introduction

This chapter will provide information on the features of the DAS module, a quick start guide for installation, and some brief information on software and accessories for the USB-4716 Module.

Sections include:

- Features
- Software Overview

Chapter 1 Introduction

Thank you for buying the Advantech USB-4716 data acquisition module. The Advantech USB-4716 is a powerful data acquisition (DAS) module for the USB port. It features a unique circuit design and complete functions for data acquisition and control.

1.1 Features

USB-4716 has the most requested measurement & control functions:

- 16 single-ended/ 8 differential or combination analog input channels
- 16-bit resolution A/D converter, with up to 200 kS/s sampling rate
- 8 digital input & 8 digital output channels (TTL Level)
- 2 analog output channels
- 16-bit programmable counter/timer x 1
- Programmable gain for each analog input channel
- Automatic channel/gain scanning
- Onboard 1K samples FIFO buffer for AI channels
- Bus-powered
- Device status LED indicator
- Removable on-module wiring terminal
- Supports high-speed USB 2.0
- Auto calibration function
- Hot swappable

Note: *The USB chip on your system may have a limitation on the number of USB devices it will support. Normally, only five USB-4716 devices can be supported.*

Note: *The power output of an USB port is 500 mA, while the USB-4716 requires 360 mA (typical). This means that if an USB hub is used, it will need an external power supply to support more than one USB-4716 device.*

1.2 Software Overview

Advantech offers a rich set of DLL drivers, third-party driver support and application software on the companion CD-ROM to help fully exploit the functions of your device. Advantech's Device Drivers feature a complete I/O function library to help boost your application performance and work seamlessly with development tools such as Visual C++, Visual Basic, Inprise C++ Builder, and Inprise Delphi.

1.2.1 More on the CD

For instructions on how to begin programming in each development tool, Advantech offers some tutorial chapters in the Device Drivers Manual for your reference. Please refer to the corresponding sections in these chapters on the Device Drivers Manual to begin your programming efforts. You can also look at the example source code provided for each programming tool, since they can get you very well oriented.

The Device Drivers Manual can be found on the companion CD-ROM. Alternatively, if you have already installed the Device Drivers on your system, The Device Drivers Manual can be readily accessed through the Start button:

Start/Programs/Advantech Automation/Advantech Device Manager / Device Driver's Manual

The example source code can be found under the corresponding installation folder such as the default installation path:

\Program Files\Advantech\ADSAPI\Examples

Installation

Sections include:

- Unpacking
- Driver Installation
- Hardware Installation
- Hardware Uninstallation

Chapter 2 Installation

2.1 Unpacking

After receiving your USB-4716 package, please inspect its contents first. The package should contain the following items:

- USB-4716 Module
- Shielded USB 2.0 Cable (1.8 m)
- Companion CD-ROM (DLL driver included)
- Startup User Manual

The USB-4716 Module harbors certain electronic components vulnerable to *electrostatic discharge* (ESD). ESD could easily damage the integrated circuits and certain components if preventive measures are not carefully paid attention to. ***Before removing the module from the antistatic plastic bag, you should take following precautions to ward off possible ESD damage:***

- Touch the metal part of your computer chassis with your hand to discharge static electricity accumulated on your body. One can also use a grounding strap.
- Make contact between the antistatic bag and ground before opening.

After taking out the module, you should first:

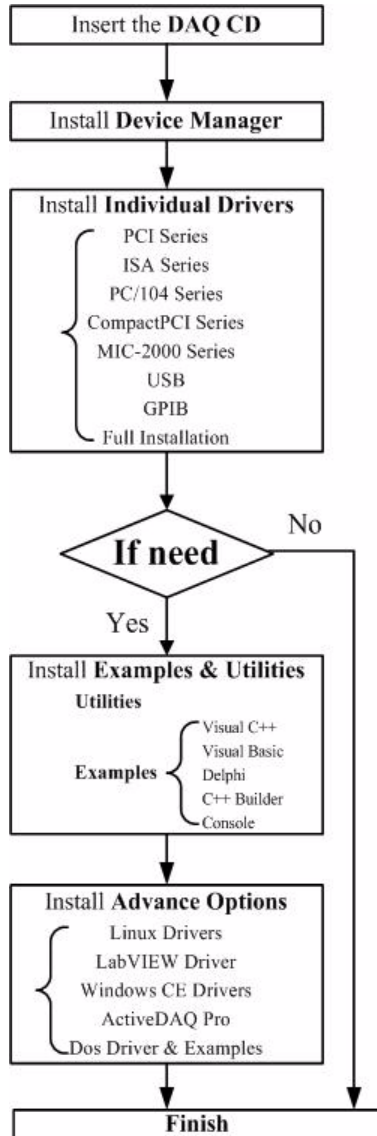
Inspect the module for any possible signs of external damage (loose or damaged components, etc.). If the module is visibly damaged, please notify our service department or our local sales representative immediately. Avoid using a damaged module with your system.

- Avoid physical contact with materials that could hold static electricity such as plastic, vinyl and Styrofoam.

2.2 Driver Installation

We recommend you install the software driver before you install the USB-4716 module into your system, since this will guarantee a smooth installation process.

The 32-bit DLL driver Setup program for the USB-4716 module is included on the companion CD-ROM that is shipped with your module package. Please follow the steps on the following page to install the driver software:



For further information on driver-related issues, an online version of the Device Drivers Manual is available by accessing the following path:

Start\Programs\Advantech Automation

\Device Manager\Device Driver's Manual

2.3 Hardware Installation

Note: Make sure you have installed the software driver before you install the module (please refer to Section 2.2 Driver Installation)

After the DLL driver installation is completed, you can now go on to install the USB-4716 module in any USB port that supports the USB 1.1/2.0 standard, on your computer. Please follow the steps below to install the module on your system.

Step 1: Touch the metal part on the surface of your computer to neutralize the static electricity that might be in your body.

Step 2: Plug your USB module into the selected USB port. Use of excessive force must be avoided; otherwise the module might get damaged.

Note: In case you installed the module without installing the DLL driver, Win2000/XP will recognize your module as an “unknown device”. After reboot, it will prompt you to provide necessary driver. You should ignore the prompting messages and set up the driver according to the steps described in Sec.2.2.

After your module is installed, you can configure it using the Advantech Device Manager. The Device Driver's Manual can be found at:

Start\Programs\Advantech Automation\Advantech Device Manager\Device Driver's Manual

2.4 Hardware Uninstallation

Though the Advantech USB modules are hot swappable, we still recommend you to follow the hardware un-installation procedure to avoid any unpredictable damages to your device or your system.

Step1: Close the applications of the USB module.

Step2: Right click the “Unplug or Eject Hardware” icon on your task bar.

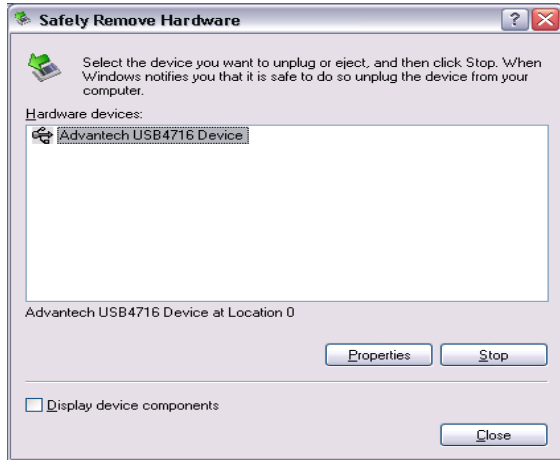


Figure 2.1: Unplug or Eject Hardware Dialog

Step3: Select “Advantech USB-4716 Device” and press “Stop” Button.



Figure 2.2: Stop a Hardware device dialog box

Step4: Unplug your USB device from the USB port.

Note: *Please make sure that you have closed the application before unplugging the USB device, otherwise unexpected system error or damage may occur.*

Signal Connections

This chapter provides useful information on how to connect input and output signals to the USB-4716 via the I/O connectors.

Sections include:

- Overview
- I/O Connectors
- Analog Input Connections
- Analog Output Connections
- Trigger Source Connections
- Field Wiring Considerations

Chapter 3 Signal Connections

3.1 Overview

Maintaining good signal connections is one of the most important factors in ensuring that your application system is sending and receiving data correctly. A good signal connection can avoid unnecessary and costly damage to your PC and other hardware devices.

3.2 I/O Connectors

USB-4716 is equipped with plug-in screw-terminal connectors that facilitate connection to the module without terminal boards or cables.

3.2.1 Pin Assignment

Figure 3.1 on next page shows the pin assignments for the five 10-pin I/O connectors on USB-4716.

Warning: The two ground references AGND and DGND should be used separately for their designated purpose. Do not connect them together.

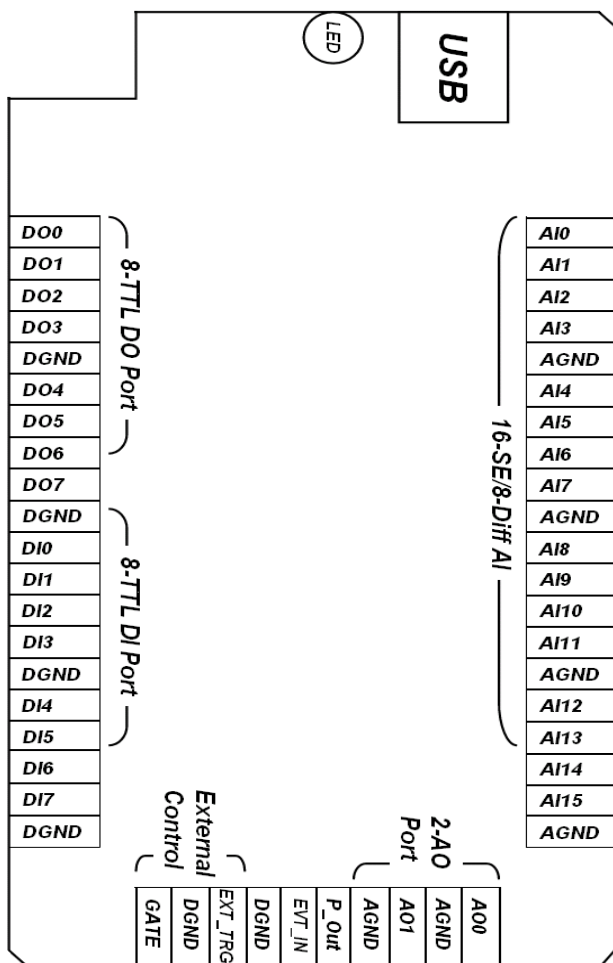


Figure 3.1: I/O Connector Pin Assignment

3.2.2 I/O Connector Signal Description

Table 3.1: I/O Connector Signal Description

Signal Name	Reference	Direction	Description
AI<0...15>	AGND	Input	Analog Input Channels 0 through 15.
AIGND	-	-	Analog Input Ground.
AO0 AO1	AGND	Output	Analog Output Channels 0/1.
AOGND	-	-	Analog Output Ground. The analog output voltages are referenced to these nodes.
DI<0..7>	DGND	Input	Digital Input channels.
DO<0..7>	DGND	Output	Digital Output channels.
DGND	-	-	Digital Ground. This pin supplies the reference for the digital channels at the I/O connector.
GATE	DGND	Input	A/D External Trigger Gate. When GATE is connected to +5 V, it will disable the external trigger signal to input.
EXT_TRG	DGND	Input	A/D External Trigger. This pin is external trigger signal input for the A/D conversion. A low-to-high edge triggers A/D conversion to start.
EVT_IN	DGND	Input	External events input channel.
P_OUT	DGND	Output	Pulse output channel

3.2.3 LED Indicator Status Description

The USB Module is equipped with a LED indicator to show the current status of the device. When you plug the USB device into the USB port, the LED indicator will blink five times and then stay lit to indicate that it is on. Please refer to the following table for detailed LED indicator status information.

Table 3.2: LED Indicator Status Description

LED Status	Description
On	Device ready for work
Off	Device not ready to work
Slow Blinking (5 times)	Device initialization
Fast Blinking (Depends on data transfer speed).	Device working

3.3 Analog Input Connections

USB-4716 supports 16 single-ended/ 8 differential (or combination) analog inputs. Each individual input channel is software-selected.

3.3.1 Single-ended Channel Connections

The single-ended input configuration has only one signal wire for each channel, and the *measured voltage* (V_m) is the voltage of the wire as referenced against the common ground.

A signal source without a local ground is also called a “floating source”. It is fairly simple to connect a single-ended channel to a floating signal source. In this mode, USB-4716 provides a reference ground for external floating signal sources.

Figure 3.2 shows a single-ended channel connection between a floating signal source and an input channel on USB-4716.

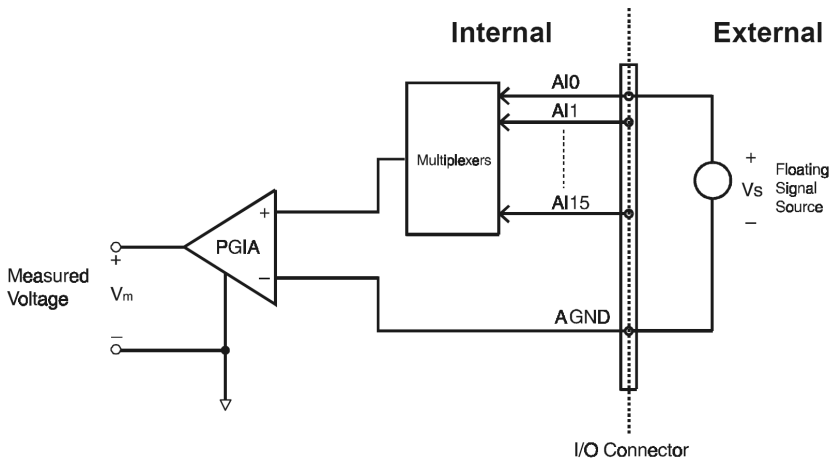


Figure 3.2: Single-Ended Input Channel Connection

3.3.2 Differential Input Connections

The differential input channels operate with two signal wires for each channel, and the voltage difference between both signal wires is measured. On USB-4716, when all channels are configured to differential input, up to 8 analog channels are available.

If one side of the signal source is connected to a local ground, the signal source is ground-referenced. Therefore, the ground of the signal source and the ground of the card will not be exactly of the same voltage. The difference between the ground voltages forms a commonmode voltage (V_{cm}).

To avoid the ground loop noise effect caused by common-mode voltages, you can connect the signal ground to the *Low* input. Figure 3-3 shows a differential channel connection between a grounded-reference signal source and an input channel on USB-4716. With this connection, the PGIA rejects a common-mode voltage V_{cm} between the signal source and USB-4716 ground, shown as V_{cm} in Figure 3-3.

Note: In differential input mode, the input channel n should be used with channel $n+1$.

$$(n=0,2,4\dots14)$$

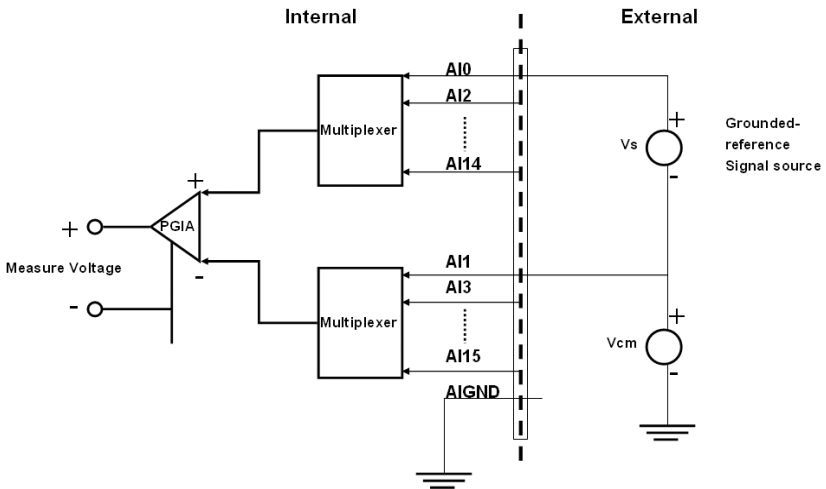


Figure 3.3: Differential Input Channel Connection

3.4 Analog Output Connections (Voltage)

USB-4716 provides two analog output channels, AO0 and AO1. Figure 3-3 shows how to make analog output connections on USB-4716.

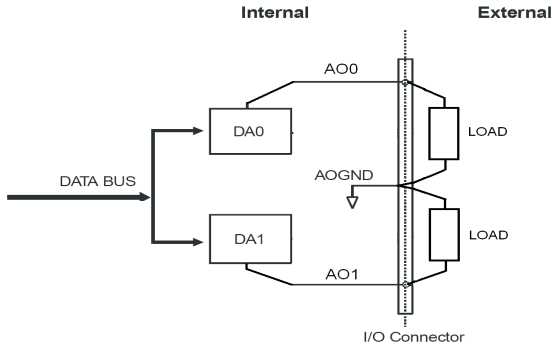


Figure 3.4: Analog Output Channel Connections

3.5 Trigger Source Connections

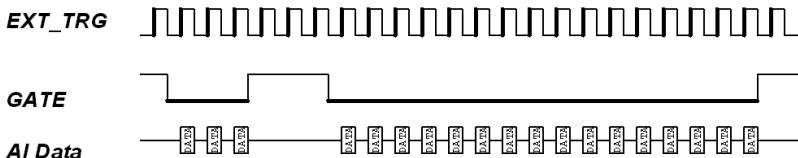
3.5.1 Internal Pacer Trigger Connection

USB-4716 provides two 16-bit counters connected to a 10 MHz clock. Counter 0 is a counter that counts events from an input channel. Counter 1 is a 16-bit timer for pacer triggering. A low-to-high edge from the Counter 1 output will trigger an A/D conversion on USB-4716.

3.5.2 External Trigger Source Connection

In addition to pacer triggering, USB-4716 also allows external triggering for A/D conversions. When GATE is connected to a +5V DC source, the external trigger function is thereby disabled. And the external trigger function will be enabled once the +5V DC source is removed.

External Trigger Mode :



3.6 Field Wiring Considerations

- When you use USB-4716 to acquire data from outside, noises in the environment might significantly affect the accuracy of your measurements if due cautions are not taken. The following measures will be helpful to reduce possible interference running signal wires between signal sources and the USB-4716.
- The signal cables must be kept away from strong electromagnetic sources such as power lines, large electric motors, circuit breakers or welding machines, since they may cause strong electromagnetic interference. Keep the analog signal cables away from any video monitor, since it can significantly affect a data acquisition system.
- If the cable travels through an area with significant electromagnetic interference, you should adopt individually shielded, twisted-pair wires as the analog input cable. This type of cable has its signal wires twisted together and shielded with a metal mesh. The metal mesh should only be connected to one point at the signal source ground.
- Avoid running the signal cables through any conduit that might have power lines in it.
- If you have to place your signal cable parallel to a power line that has a high voltage or high current running through it, try to keep a safe distance between them. Or place the signal cable in a right angle to the power line to minimize the undesirable effect.

APPENDIX
A

Specifications

Appendix A Specifications

A.1 Analog Input

Channels	16-ch single-ended/ 8-ch differential						
Resolution	16 bits	FIFO Size	1024 Samples				
Sampling Rate		200 kS/s					
Input Range and Gain List	Gain	0.5	1	2	4	8	
	Gain Code	4	0	1	2	3	
	Bipolar (V)	±10	±5	±2.5	±1.25	±0.625	
	Unipolar (V)	N/A	0~10	0~5	0~2.5	0~1.25	
Drift	Gain	0.5	1	2	4	8	
	Zero ($\mu\text{V}/^\circ\text{C}$)	±30					
	Gain ($\text{ppm}/^\circ\text{C}$)	30	30	30	30	30	
Small Signal Bandwidth for PGA	Gain	0.5	1	2	4	8	
	Bandwidth (MHz)	1.1	1.1	1.1	1.1	1.1	
Input Protection	30 V max.						
Input Impedance	1G Ω						
Input Comm. Mode Voltage	11V						
Accuracy	DC	INLE	1LSB				
		DNLE	3LSB				
		Gain	0.5	1	2	4	8
		Gain Error (% of FSR)	0.015	0.03	0.03	0.05	0.1
	AC	SINAD	83 dB				
		THD	-88 dB				
		ENOB	13.5 bit				

A.2 Analog Output

Channels	2		
Resolution	16 bits	FIFO Size	N/A
Throughput	2 kHz		
Operating Mode	Single output		
Output Range	0~5, 0~10, ± 5 , ± 10 V		
Accuracy	DC	INLE	± 2 LSB
		DNLE	± 1 LSB
Dynamic Performance	Slew Rate	0.125 V/ μ s	
	Settling Time	150 μ s (to $\pm 1/2$ LSB of FSB)	
Driving Capability	5 mA		
Output Impedance	0.1 Ω max.		

A.3 Non-Isolated Digital Input/Output

Input Channels	8 Non-Isolation TTL	
Input Voltage	Low	0.0 Vdc (Min) / 1.0Vdc (Max)
	High	2.0 Vdc (Min) / 5.0Vdc (Max)
Output Channels	8 Non-Isolation TTL	
Output Voltage	Low	0.4 Vdc / -6mA (Sink)
	High	2.4 Vdc / 6mA (Source)

A.4 Counter

Channels	1		
Resolution	32-bit software base	Capability	TTL level
Input Frequency	1 kHz max.		
Clock Input	Low	0.0 Vdc (Min) / 1.0 Vdc (Max)	
	High	2.0 Vdc (Min) / 5.0 Vdc (Max)	
Gate Input	Low	0.0 Vdc (Min) / 1.0 Vdc (Max)	
	High	2.0 Vdc (Min) / 5.0 Vdc (Max)	

A.5 General

I/O Connector Type	Removable 10-pin screw terminal x 5		
Dimensions	132 X 80 X 32 mm (5.2" X 3.2" X 1.3")		
Power Consumption	360 mA @ +5.0V Typical 450 mA @ +5.0 V max.		
Temperature	Operation	0~60° C (32~140° F) (refer to IEC 68-2-1, 2)	
	Storage	-20~70° C (-4~158° F)	
Relative Humidity	5~ 95 % RH non-condensing (refer to IEC 68-2-1, 2)		