

USC-M6

15.6" touch monitor



Features

- 15.6" TFT display in LED backlight
- Flat and bezel-free front P-CAP touch panel design
- Reserved side hatch for optional peripheral
- Embedded RFID and camera for optional module
- Supports 75x75mm VESA mount, wall mount and panel mount
- Ultra slim 12mm of front panel
- IP65 for front panel



Introduction

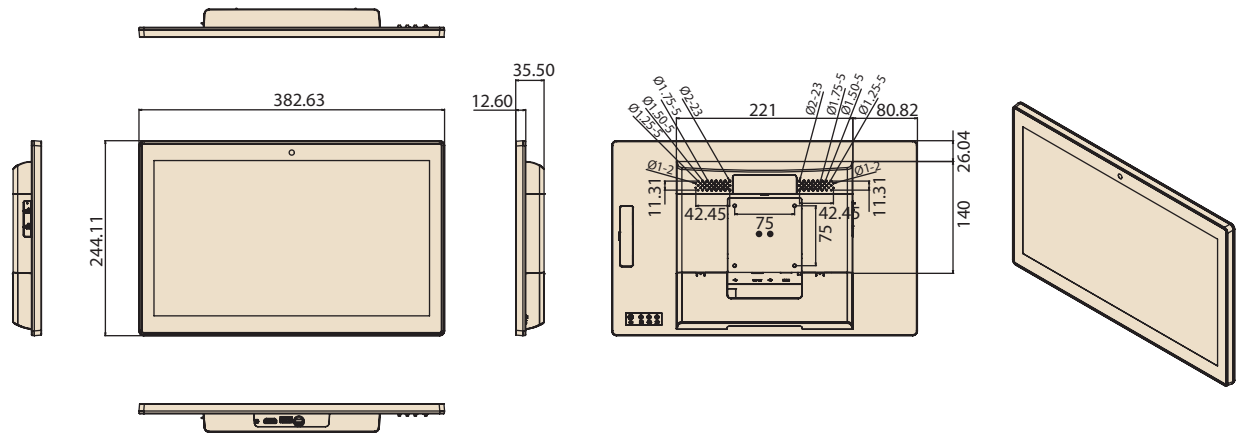
The USC-M6 touch monitor of Avalo family is designed to fit your mini POS application with box PC and POS system's second display. Monitor mounted bezel-free touch panel allow to finger touch operating the system. The looking of USC-M6 is stylish, neat and slim to fulfill modern model requested, and it is able to mount through the standard 75x75mm VESA holes on the desktop stand, wall mount, pole mount or arm optional. The Rich peripheral designed can embed in camera & RFID and assemble external MSR or i-button for option.

Specifications

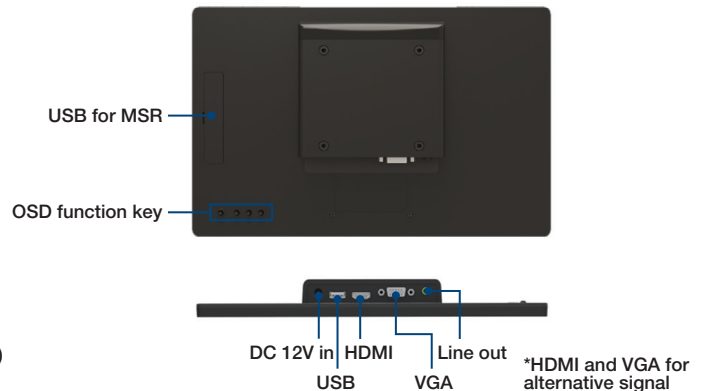
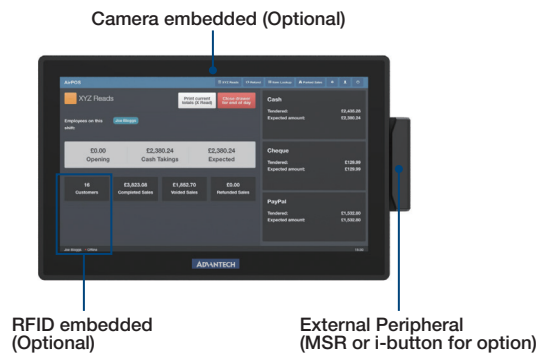
| | | 15.6" HD | 15.6" Full HD |
|--------------------------|------------------------------------------|-----------------------------------------------------------|----------------------------------------------------|
| Display | Display Size | 15.6" wide TFT color LCD(16:9) | 15.6" wide TFT color LCD(16:9) |
| | Touch Screen | Projected Capacitive Touch Panel (PCAP.Flat Glass) | Projected Capacitive Touch Panel (PCAP.Flat Glass) |
| | Max Resolution | 1366 x 768 (H x V) | 1920 x 1080 (H x V) |
| | Pixel Pitch(mm) | 0.1875(H) x 0.1875(V) | 0.17295(H) x 0.17295(V) |
| | Viewing Angle | 45 (Left/Right)/20(Top)/40(bottom) | 85 for Horizontal and Vertical |
| | Luminance | 220 cd/m ² | 350cd/m ² |
| | Backlight | LED | LED |
| | LCD MTBF | 15,000 hours | 50,000 hours |
| | Contrast Ratio | 400:1 | 1000:1 |
| External I/O | Video in (Alternative signal for one) | VGA Port (DSUB-15) HDMI | |
| | Audio in | 3.5mm jack | |
| | USB | For Touch panel | |
| | DC-in | 12V DC in power jack | |
| Control Button | Power | Power on/ off | |
| | Menu | OSD menu | |
| | Up Down | selection up selection down | |
| Others | Speaker | 2W | |
| | Mount | VESA mount 75x75mm | |
| | Hatch | Right/ Bottom hatch reserved mounting for optional module | |
| | Adaptor | 12V 36W | |
| Optional Modular | Embedded Peripherals | RFID (1443A/B,15693,Felica) | |
| | Side mount Peripherals | MSR or i-button | |
| Mechanical&Environmental | Case Color | Black/White | |
| | Operation Temperature | 0 ~ 40 °C (32 ~ 104 °F) | |
| | Humidity | 10-95% @ 40 °C non-condensing | |
| | EMI/Safety | FCC/CE/CCC/BSMI/VCCI/CB/UL | |

Dimensions

Unit: mm



I/O View



Packing List

| Part Number | Description |
|-------------|--------------------------------------|
| - | 1 x USC-M6 |
| - | 1 x 12V power adaptor |
| - | 1 x VGA cable 1.8M |
| - | 1 x USB cable 1.8M |
| - | 1 x Audio cable 1.8M |
| - | 1 x MSR assembling plastic component |

Accessory

| Part Number | Description |
|---------------|-----------------------------------------------|
| 1702002600 | Power Cord 3P UL/CSA(USA) 125V 10A 1.83M 180D |
| 1702002605 | Power Cord EU 3P 10A 250V 183cm |
| 1700028438-01 | M cable HDMI 19P/HDMI 19P 180cm |

Monitor Stand

| Part Number | Description |
|---------------|------------------------------------------------|
| UTC-S01-STAND | UTC 75 x 75 mm Desktop Stand |
| UPOS-P07-A100 | M15 monitor stand, double hinge, VESA75x75, BK |

Ordering Information (2yrs warranty)

| Part Number | Description |
|---------------|-------------------------------------------------------|
| USC-M6P-BST00 | 15.6" HD P-touch monitor, vesa mount BK |
| USC-M6P-BST03 | 15.6" HD P-touch monitor w/RFID/Camera ,vesa mount BK |
| USC-M6P-BST10 | 15.6" FHD P-touch monitor,vesa mount BK |
| USC-M6G-BST00 | 15.6" HD monitor ,vesa mount BK |

Peripheral (2yrs warranty)

| Part Number | Description |
|--------------|----------------------------|
| USC-P03-B200 | MSR,USB for USC-MX/1XX |
| USC-P03-B201 | ibutton,USC for USC-MX/1XX |

BOX PC (2yrs warranty)

| Part Number | Description |
|------------------|---------------------------------------------|
| USM-110A-BR120 | Cortex A17,2G/16G,2XHDMI,Android 6.0,IMM SW |
| USM-110A-BR110 | Cortex A17,2G/8G,1XHDMI,Android 6.0,IMM SW |
| UBX-310D-LOB0E | Intel Celeron J1900,Fanless,RJ11,Barebone |
| UBX-310F-I3B00 | Intel Core i3 6100U, Fanless, Barebone |
| UPOS-540FP-AI512 | Intel Core i5-6300U,USB6,COM6,8G |