



WP1501T-C

Industrial Panel PC

15" IP69K Stainless Steel Panel PC

- ◆ Support Intel® Celeron J1900 /J6412
- ◆ Support Intel® Core™ i3-8145U/i5-7200u

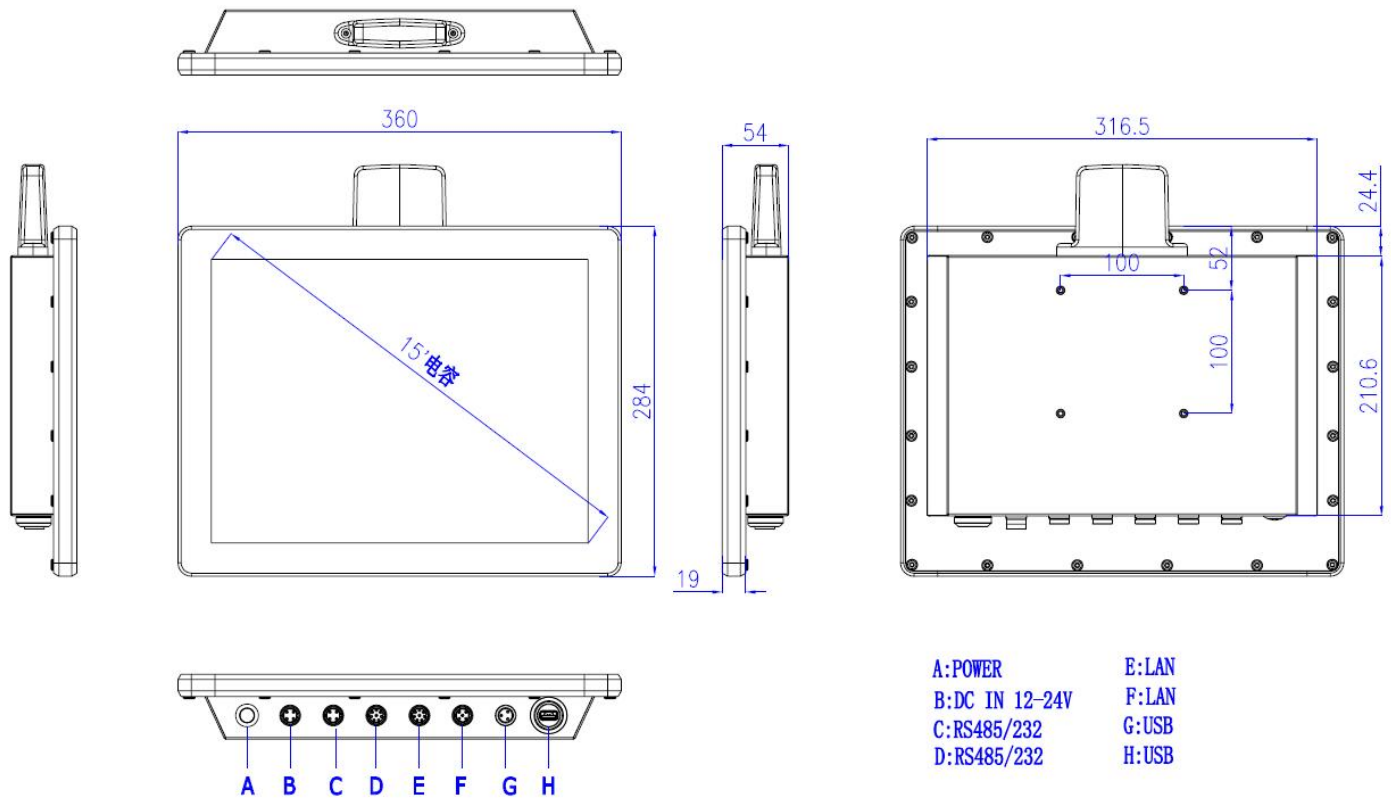




Specification:

| | | | | | |
|-----------------------|------------------------|--|-----------------|---------------------------------------|-----------------|
| System | CPU | J1900 | 7200U | J6412 | 8145U |
| | BIOS | Quad Core2.0GHz | Dual Core2.5GHz | Quad Core2.0GHz | Dual Core2.1GHz |
| | L2 Cashi | 2MB | 3MB | 1.5MB | 4MB |
| | Chipset | Integrated PCH-LP | | | |
| | Memory | DDR3L- 1333/1600/1866 MHz up to 8GB | | DDR4-2133/ 2400MHz support up to 16GB | |
| | Storage | 1 x mSATA | | | |
| I/O | LAN | 2 x Intel 1000Mbps | | | |
| | Audio | / | | | |
| | USB | 2 x USB2.0 | | | |
| | COM | 2 x RS232 (option RS485 before ordering) | | | |
| | Mini PCIE | Option either Wifi or 4G/3G module (Default: wifi) | | | |
| Basic | Dimension (W x H x D) | 360mm x 284mm x 54mm | | | |
| | Mounting | Desktop, VESA | | | |
| | Net weight | 5.3kg | | | |
| Operation system | OS | Windows7, Windows8, Windows10, Linux | | | |
| Power | Power input | 12-24VDC ±10% , Support reverse connection protection, over current protection | | | |
| | Max. power consumption | 38.6Watt | | | |
| LCD | Type | 15" XGA TFT | | | |
| | Resolution | 1024 x 768 | | | |
| | Colors | 16.7MB | | | |
| | Active Area (W x H) | 304.13mm x 228.10mm | | | |
| | Backlight | LED | | | |
| | MTBF (hours) | 50000hrs | | | |
| | Pixel Pitch(H x V) | 0.297 x 0.297 | | | |
| | Luminance | 420cd/m2 | | | |
| | Contrast Ratio | 800 : 1 | | | |
| Touch Screen | View angle | (L) 80 / (R) 80 / (T) 80 / (B) 80 | | | |
| | Type | Capacitive Multi-touch screen | | | |
| | Transmittance | ≥ 87% | | | |
| | Controller interface | USB | | | |
| | Driver supported | Windows 7, Windows 8, Windows 10, Linux | | | |
| | Multi-touch | 10 points under Windows OS | | | |
| Working Environmental | Surface Hardness | Mohs' 7H | | | |
| | Work temperature | -20 ~ 60° C | | | |
| | Storage temperature | -30 ~ 80° C | | | |
| | Relative humidity | 5~95% RH@40° C, non-condensing | | | |
| | Shake | SSD applied: 1.5 Grms, IEC 60068-2-64, random, 5 ~ 500 Hz, 1 hr/axis | | | |
| | Shock | SSD applied: 10 G, IEC 60068-2-27, Half-sine wave, 11ms duration | | | |
| | EMC | CE/FCC Class B | | | |
| Waterproof | IP69K | | | | |

Dimension: Unit: mm



Order information:

| Model NO. | Description |
|-------------------|---|
| WP1501T-C-J1900 | 15" LCD/ Capacitive touch screen/ 1024*768/CPU J1900/no memory/no SSD/2LAN/2RS232(option RS485)/2USB/option WIFI&3G/DC IN 12~24V |
| WP1501T-C-J6412 | 15" LCD/ Capacitive touch screen/ 1024*768/CPU J6412/no memory/no SSD/2LAN/2RS232(option RS485)/2USB/option WIFI&3G/DC IN 12~24V |
| WP1501T-C-8145U | 15" LCD/ Capacitive touch screen/ 1024*768/CPU i3-8145U/no memory/no SSD/2LAN/2RS232(option RS485)/2USB/option WIFI&3G/DC IN 12~24V |
| WP1501T-C-SL7200U | 15" LCD/ Capacitive touch screen/ 1024*768/CPU i5-7200U/no memory/no SSD/2LAN/2RS232(option RS485)/2USB/option WIFI&3G/DC IN 12~24V |

Option items:

| Material NO. | Spec. |
|--------------|---|
| 5040200005 | WIFI (7260HMWBN) with waterproof cover |
| 5040100001 | EC20 (4G/3G module) |
| 2020200067 | M12 plug with 5pin (USB) Length=2Meters |
| 2020200068 | M12 plug with 4pin (COM) Length=2Meters |
| 2020200069 | M12 plug with 8pin (LAN cable) Length=2Meters |
| 2010300015 | IP67 waterproof Meanwell power adapter OWA-60E-12 (EU type) |